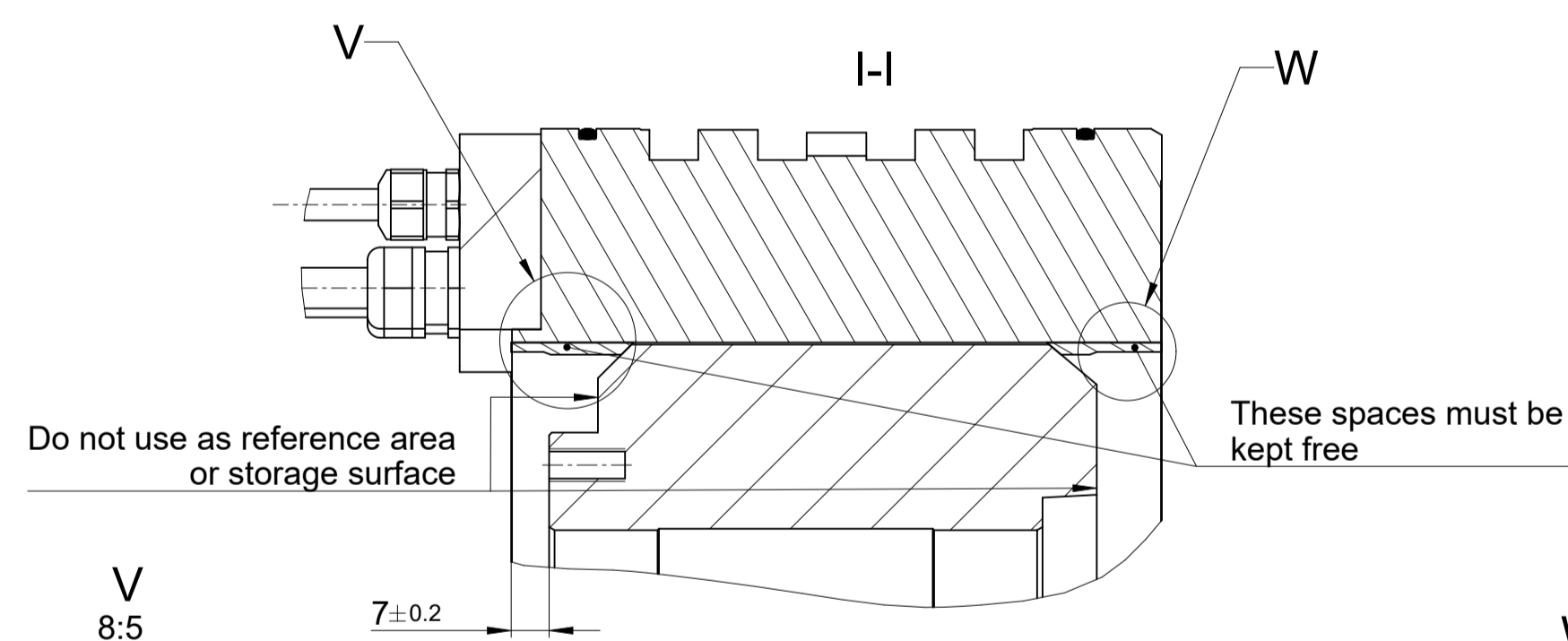
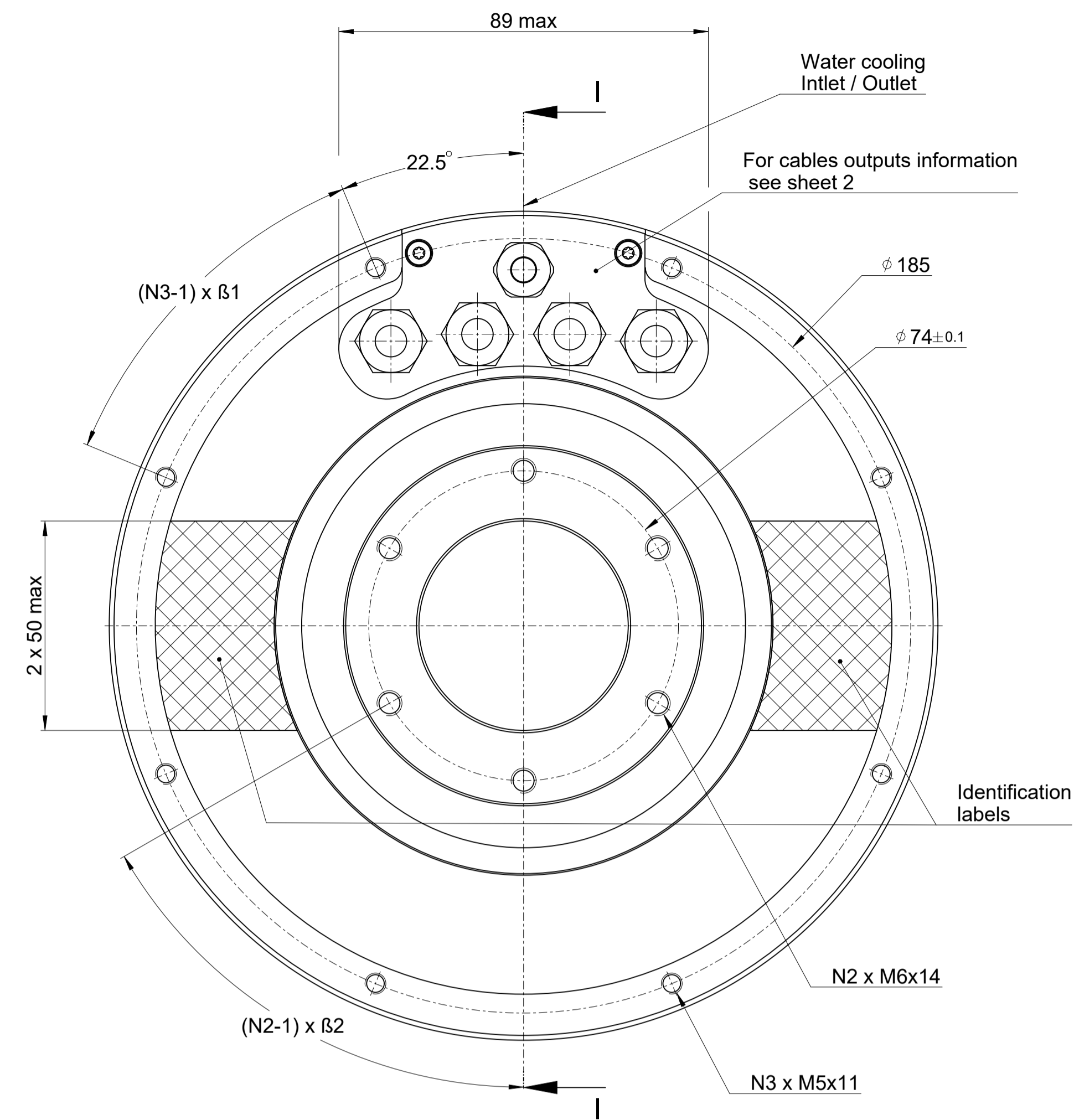
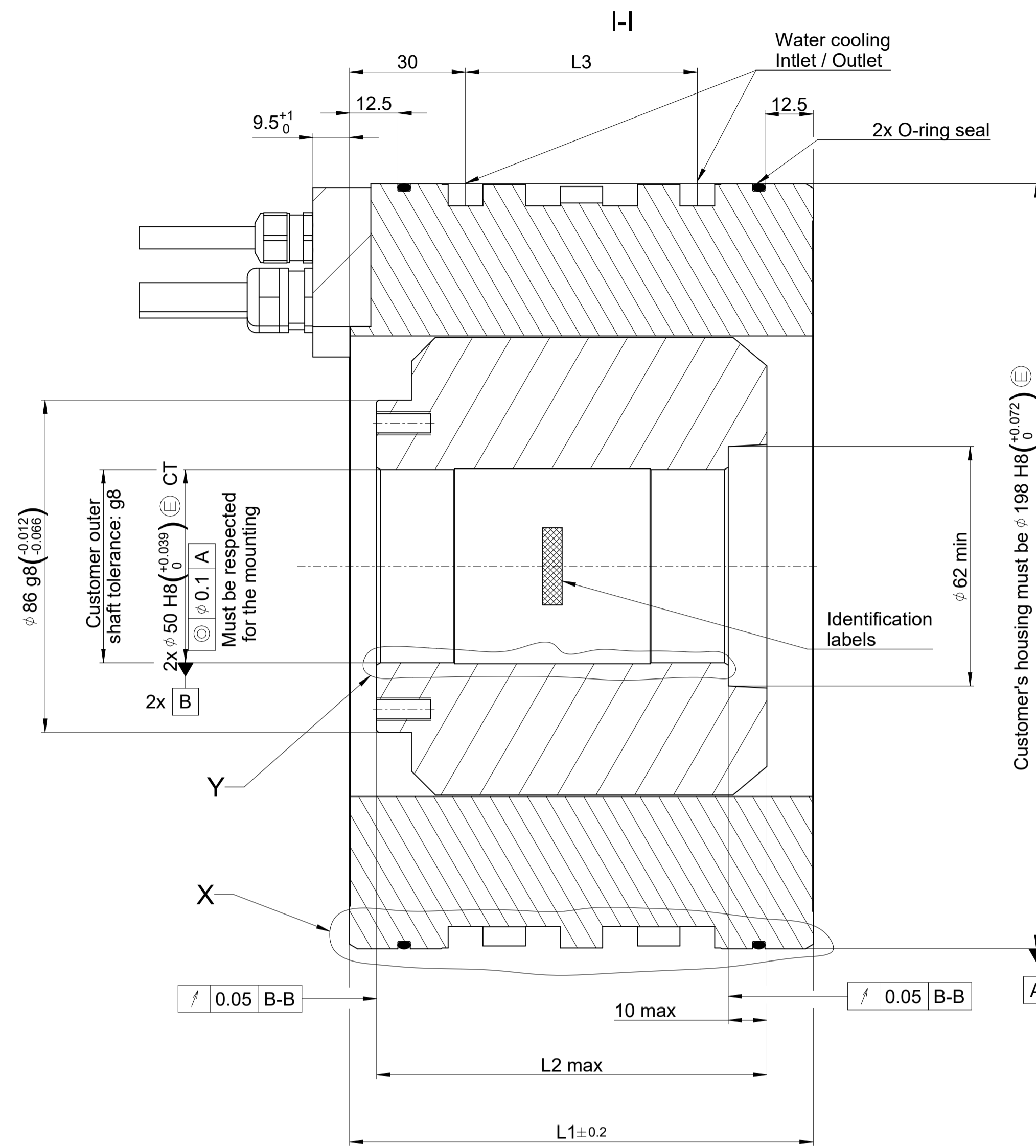
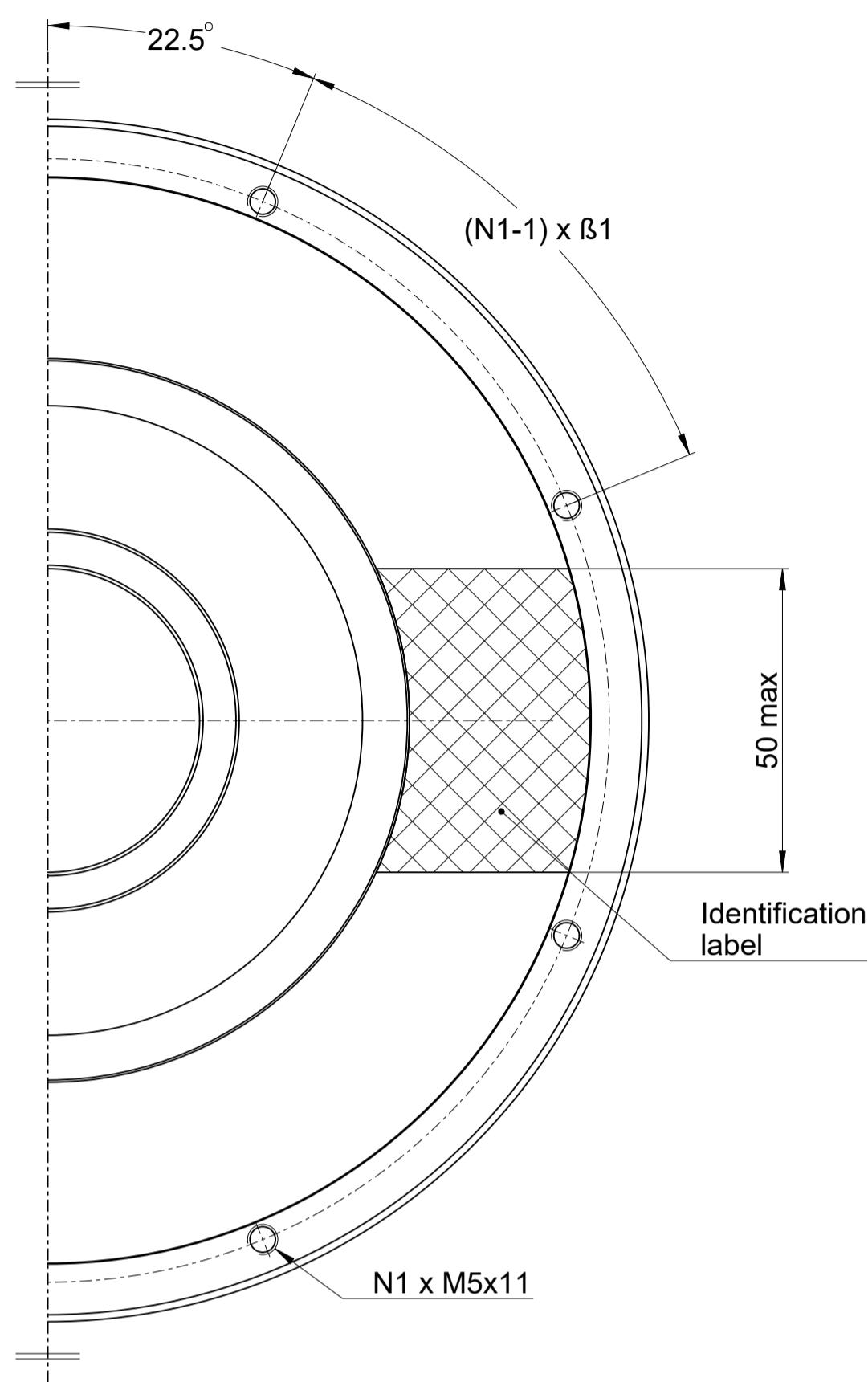


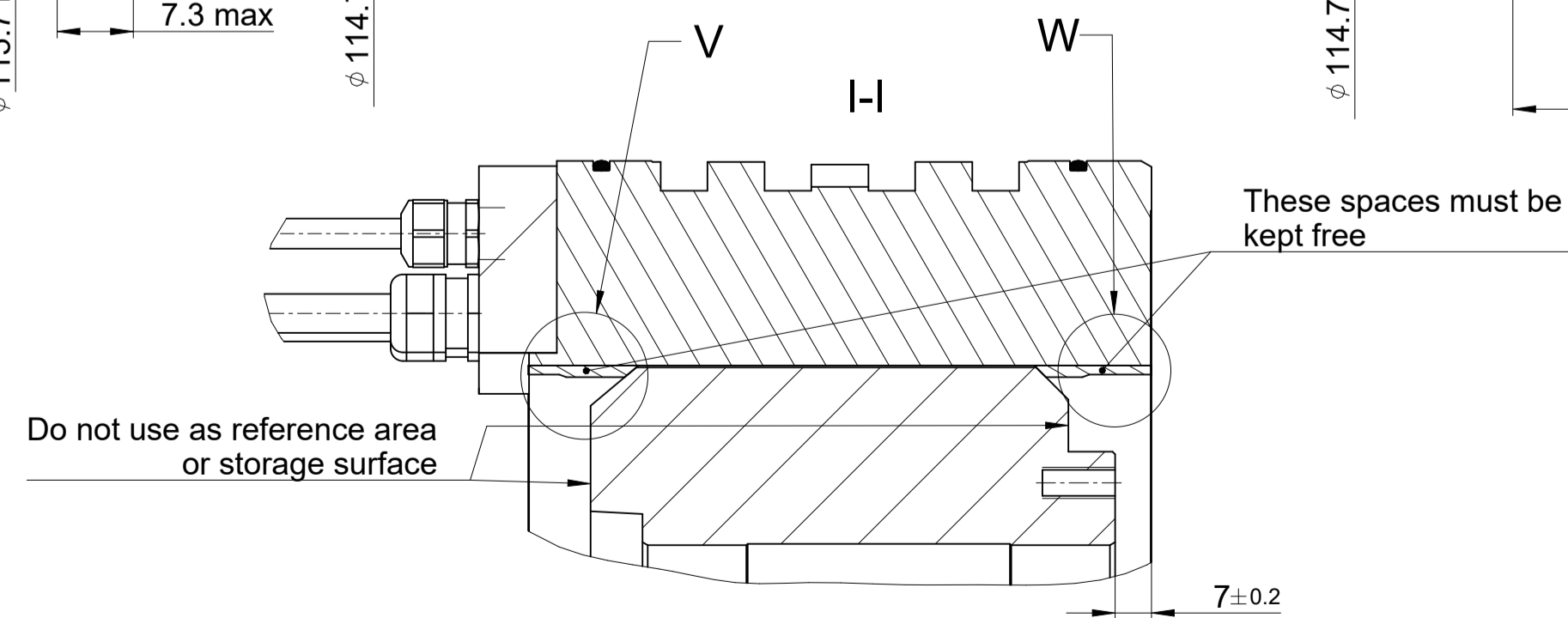
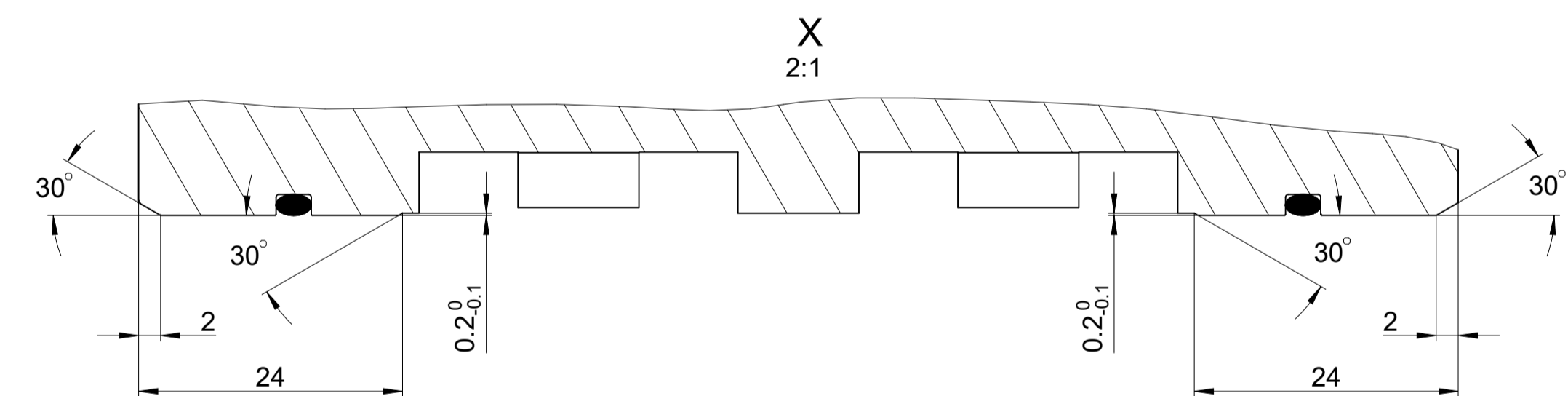
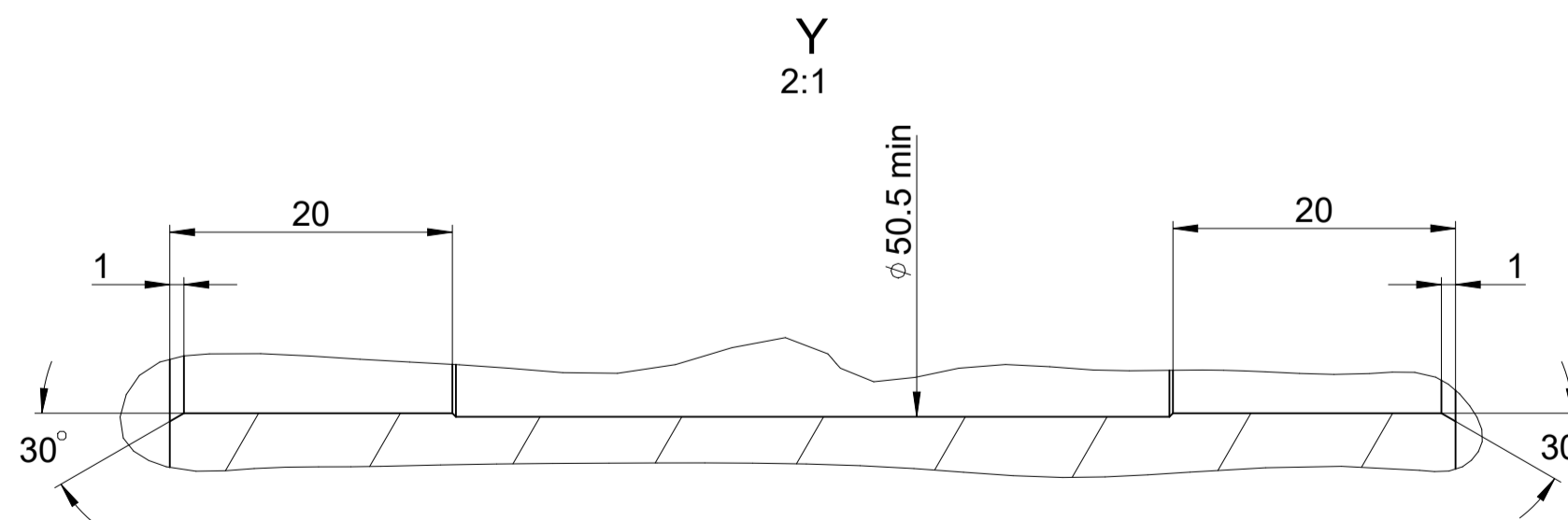
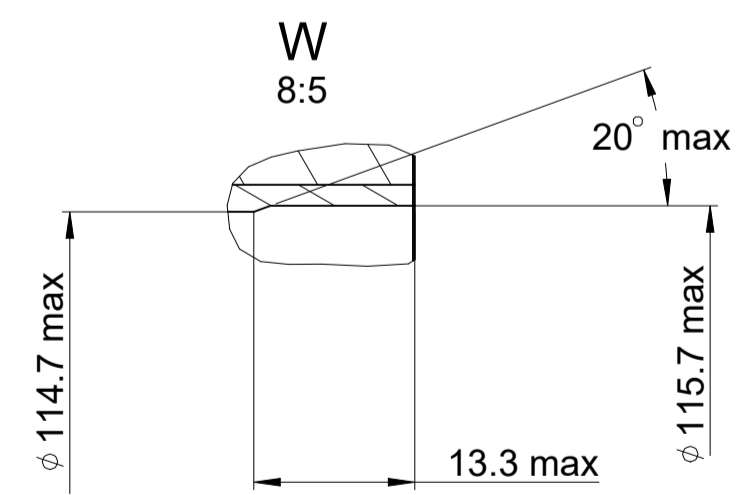
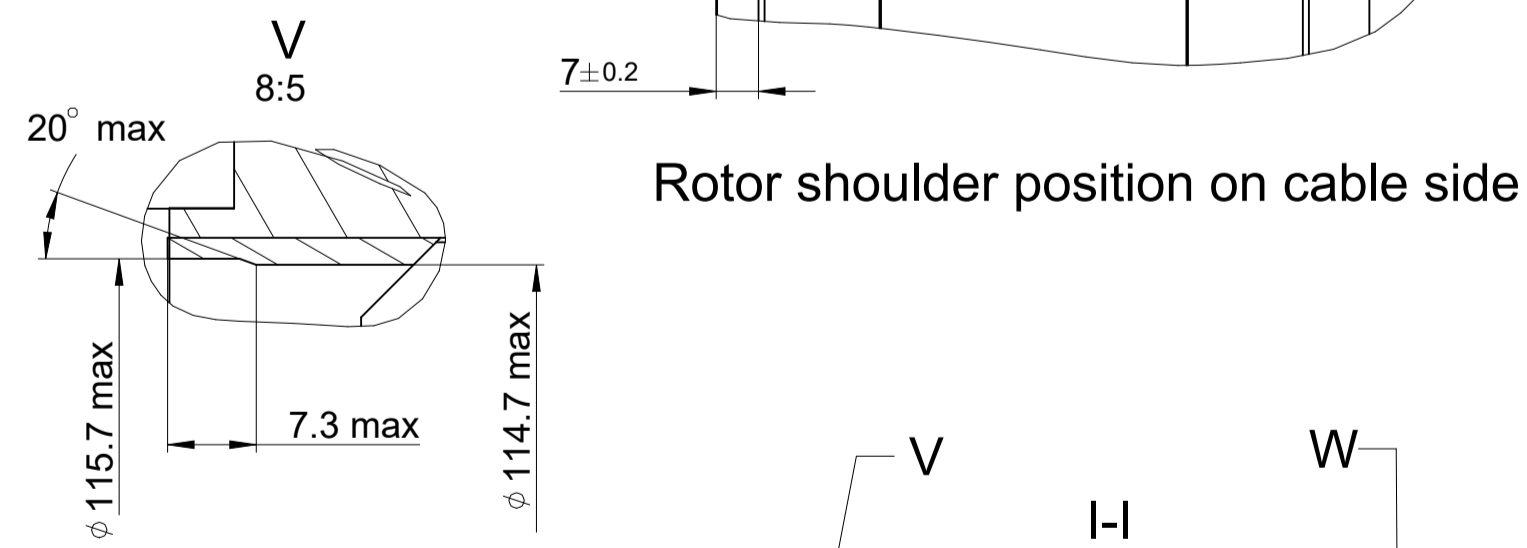
Torque Motors

TMKi INTERFACE DRAWINGS

ETEL



Rotor shoulder position on cable side

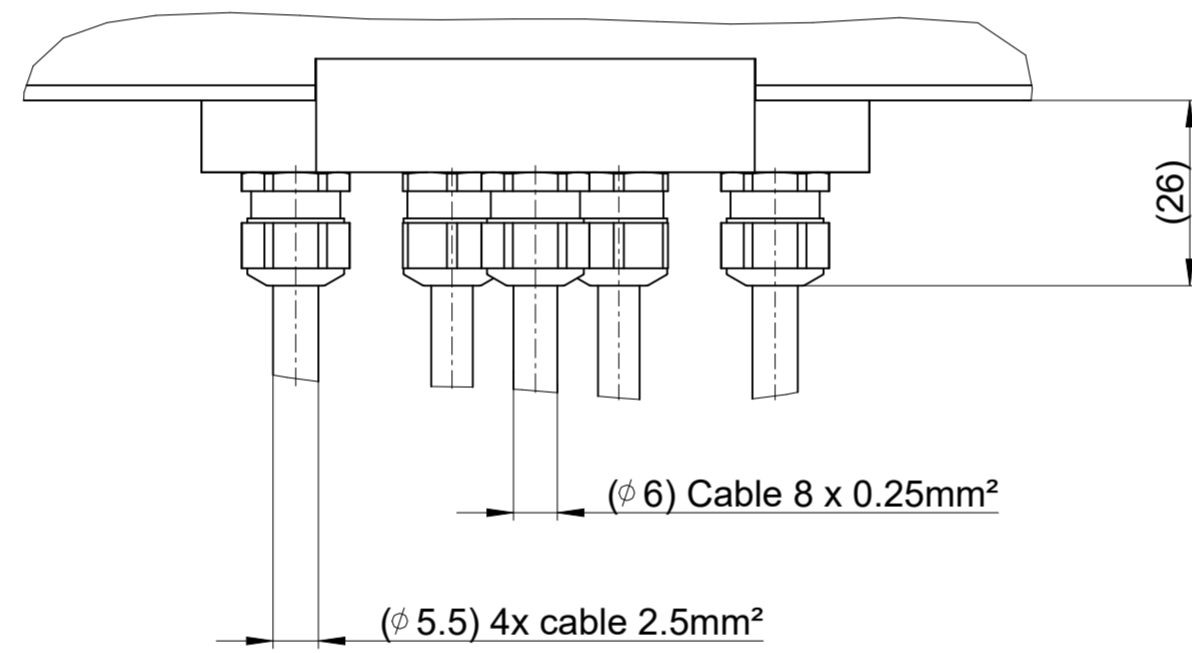
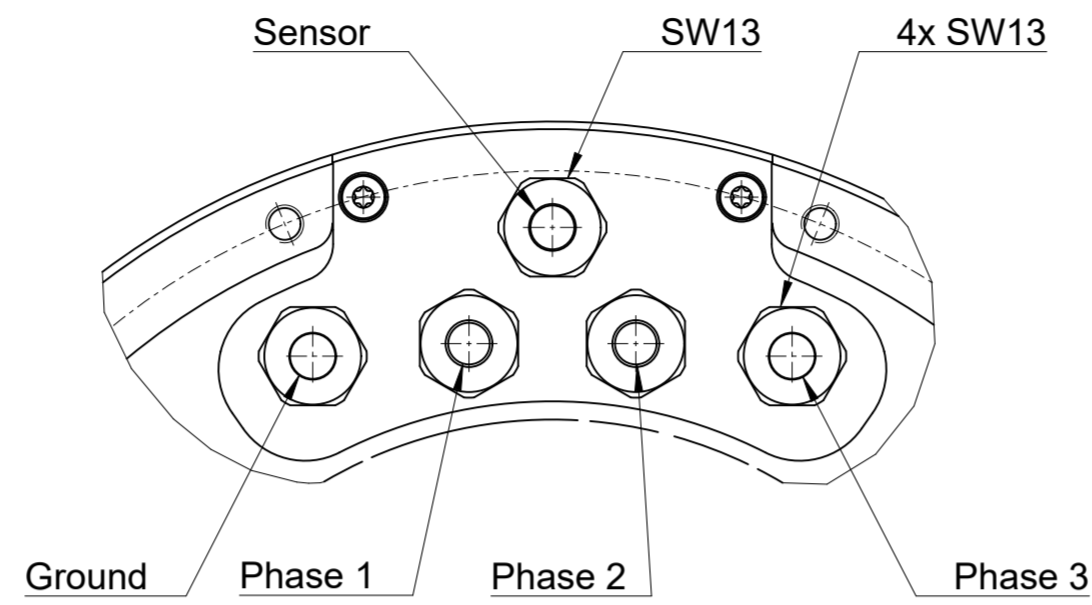


Rotor shoulder position on opposite side of cable

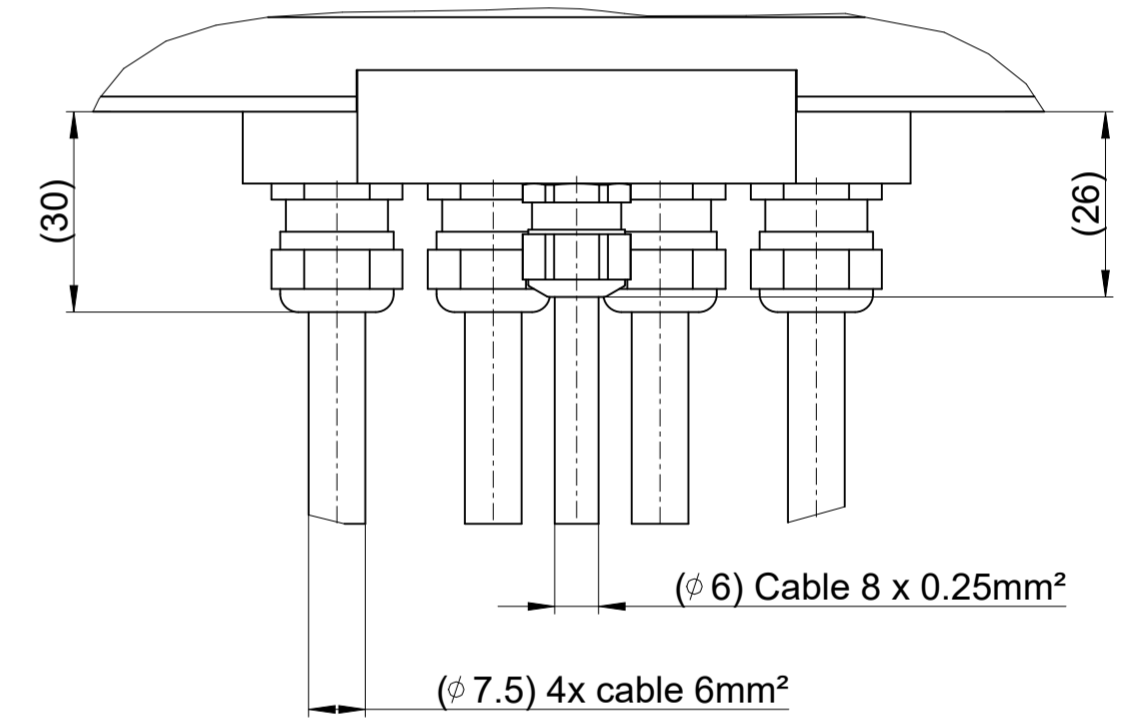
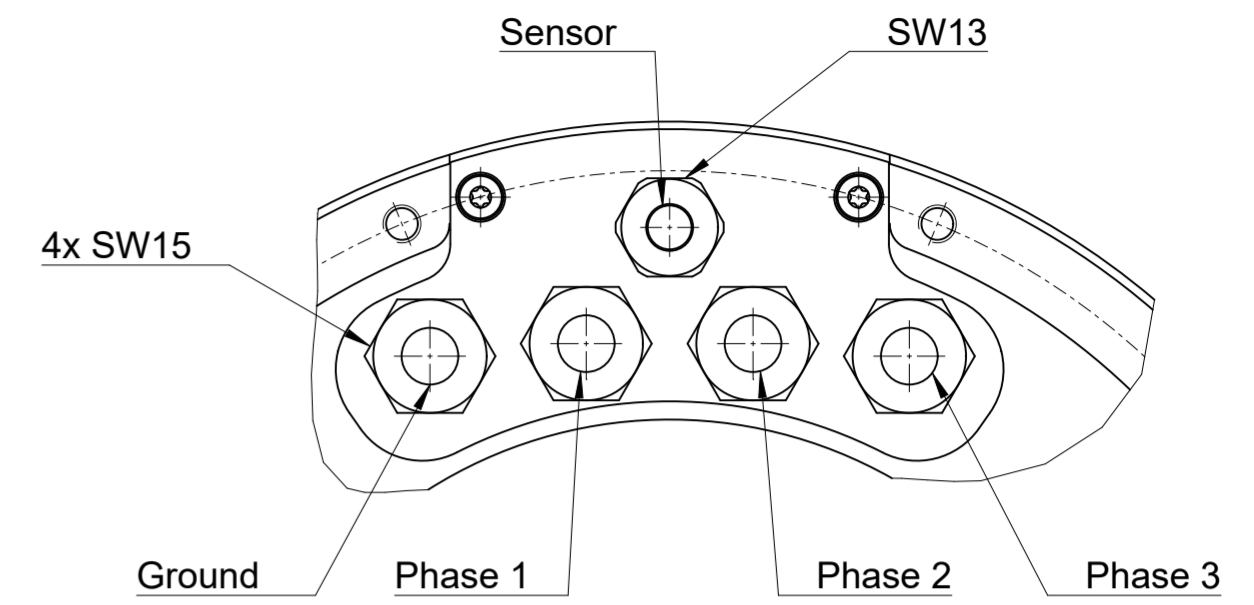
| Designation | L1 | L2 | L3 | N1 | N2 | N3 | β1 | β2 |
|--------------|-----|-----|-----|----|----|----|------|----|
| TMKi0175-050 | 100 | 81 | 40 | 8 | 6 | 8 | 45 | 60 |
| TMKi0175-070 | 120 | 101 | 60 | 8 | 6 | 8 | 45 | 60 |
| TMKi0175-100 | 150 | 131 | 90 | 16 | 12 | 15 | 22.5 | 30 |
| TMKi0175-150 | 200 | 181 | 140 | 16 | 12 | 15 | 22.5 | 30 |

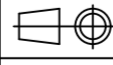

| | | | |
|---|--------|--|------------------------------------|
| Text: | | ID number: | C171900-10 |
| Original drawing | | Change No.: | 22.04.2024 |
| Scale | | Released: | Tolerances as per ISO 8015 : 2011 |
| Format | | | Tolerances selon ISO 8015 : 2011 |
| Dimensions in mm | 4:5 A1 | Dimensions without tolerance ISO 2768-mK | |
| | | Dimensions sans tolérances 2768-mK | |
| The reproduction, distribution and utilization of this document as well as the communication of its contents to others without express authorization is prohibited. Offenders will be held liable for the payment of damages. All rights reserved in the event of the grant of a patent, utility model or design. (ISO 18015) | | | |
| ETEL | | ETEL S.A. 2112 Möllers SWITZERLAND | |
| | | Version Revision Sheet Page | 1378895-02-C-01 Document number |
| | | | 1 of 2 |

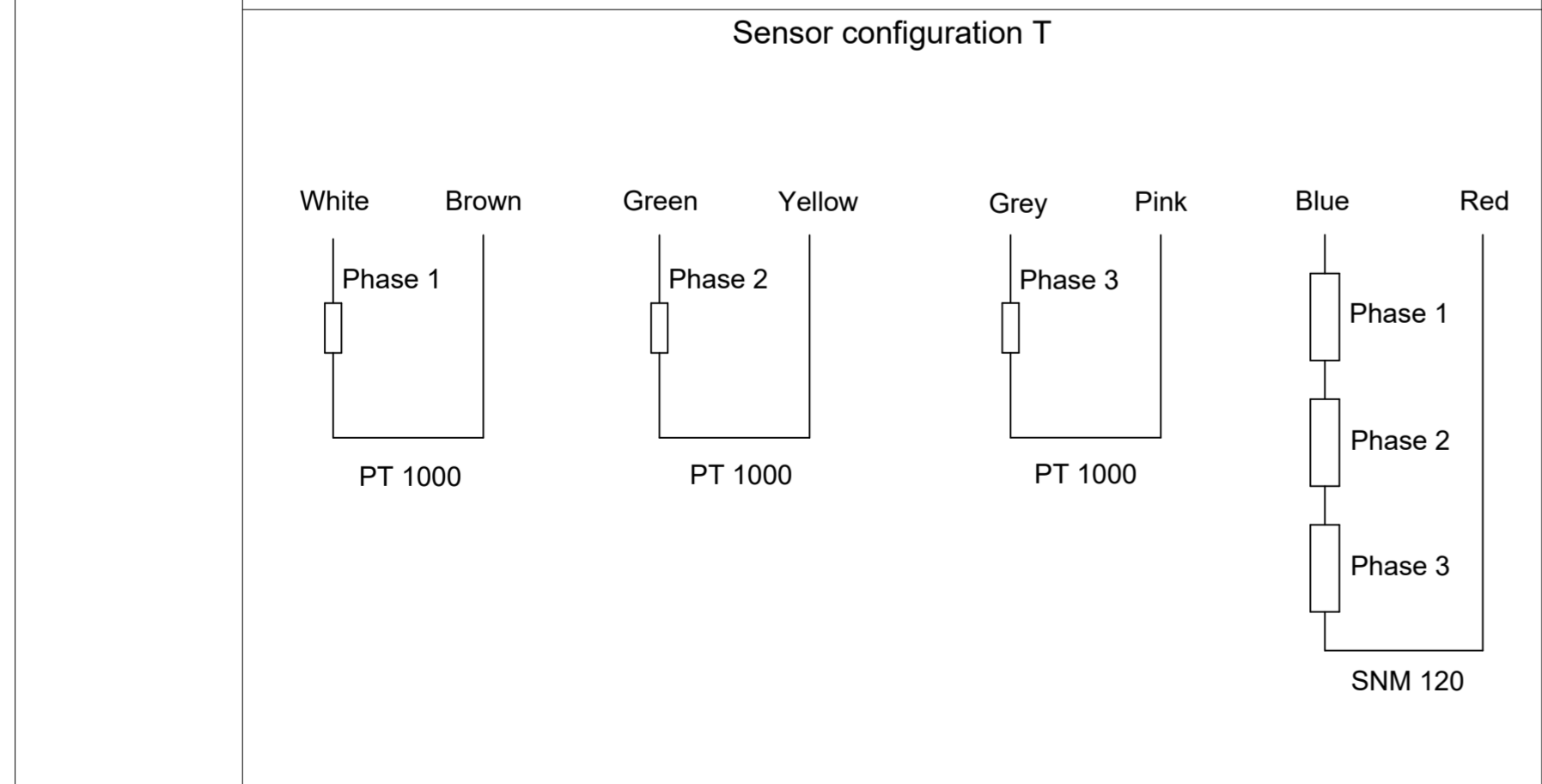
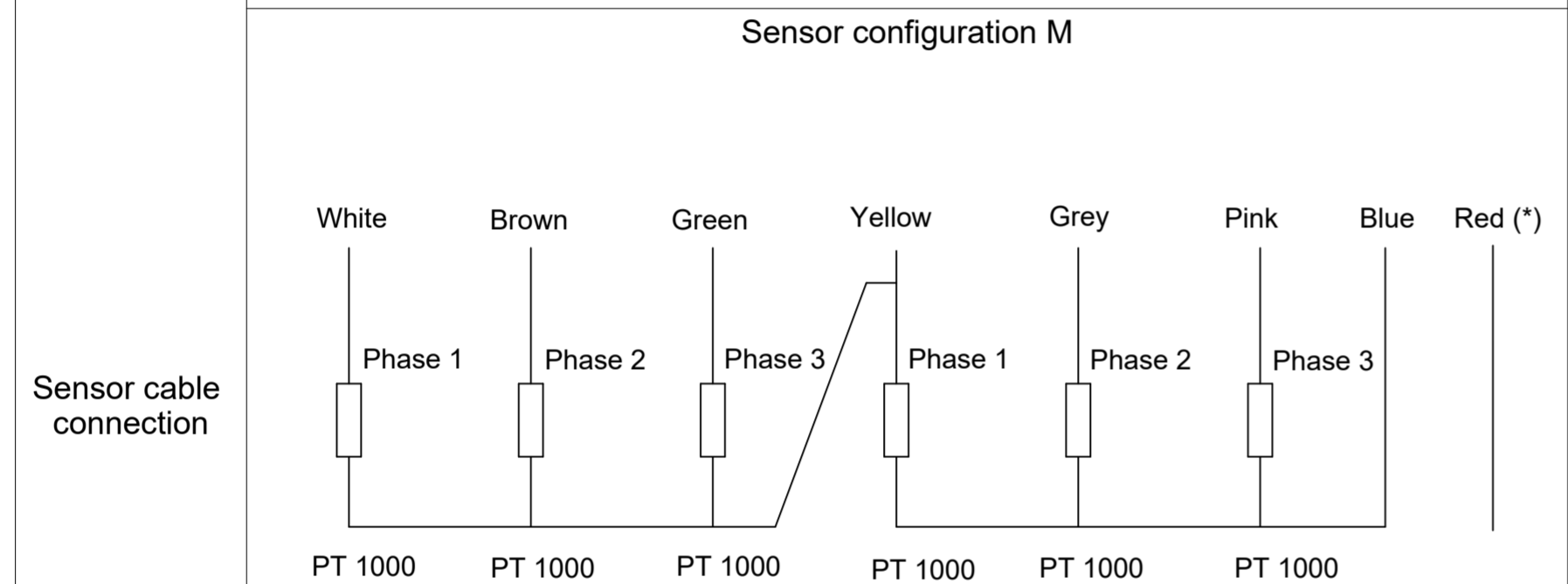
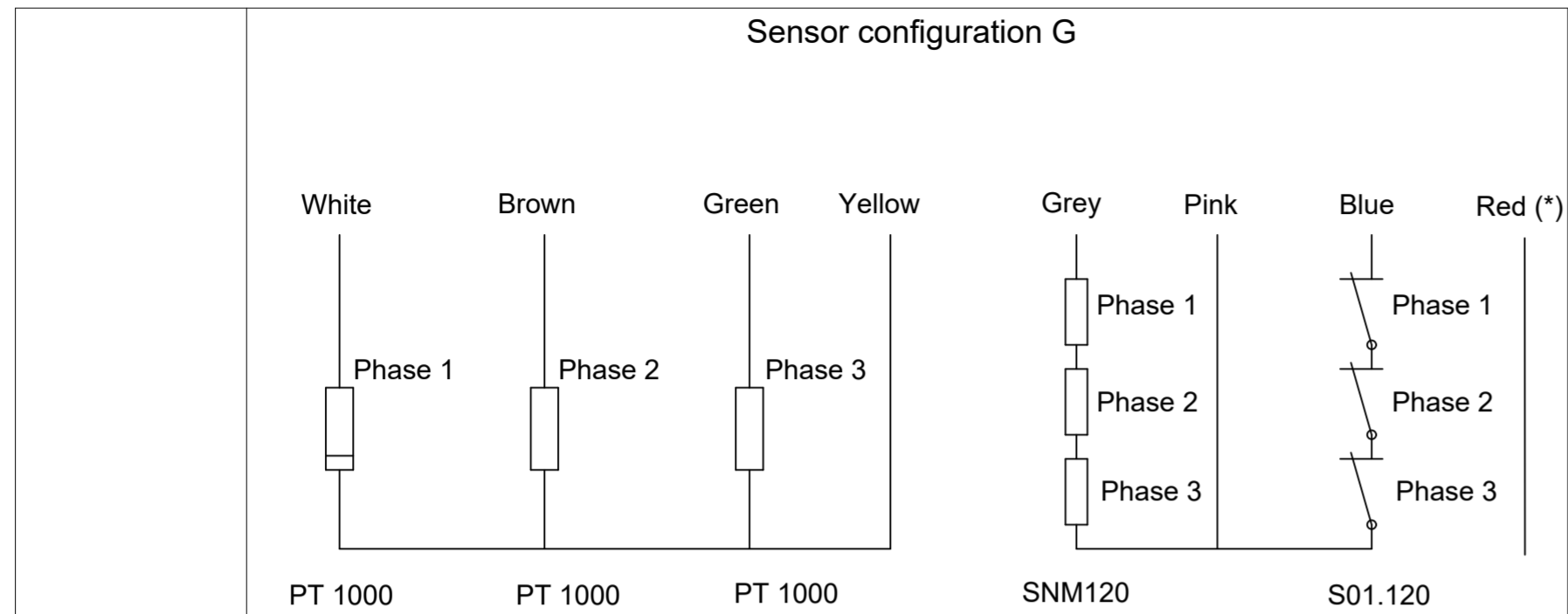
TMKi0175-###-UA#U#
 TMKi0175-###-XA#U#
 TMKi0175-###-UB#U#



TMKi0175-###-XB#U#



| | | | |
|---|--|--|--|
| Text: | | ID number: | |
| | | Change No. C171500-10 | |
| | | Released: 22.04.2024 | |
|  Original drawing Scale: 1:1 Format: A2 | | TMKi0175-###-#####-O#-AA5 TMKi0175-###-#####-O#-AA5 Mating Dimensions / Cotes d'encombrement | |
| Dimensions in mm | | Tolerances as per ISO 8015 : 2011 Tolérances selon ISO 8015 : 2011 | |
| | | Dimensions without tolerance ISO Dimensions sans tolérances 2768-mk | |
| The reproduction, distribution and utilization of this document as well as the communication of its contents to others without express authorization is prohibited. Offenders will be held liable for the payment of damages. All rights reserved in the event of the grant of a patent, utility model or design. (ISO 16016) | | | |
|  ETEL S.A. 2112 Môtiers SWITZERLAND | | Version Revision Sheet Page 1378895-02 - C-01 2 2 Document number | |

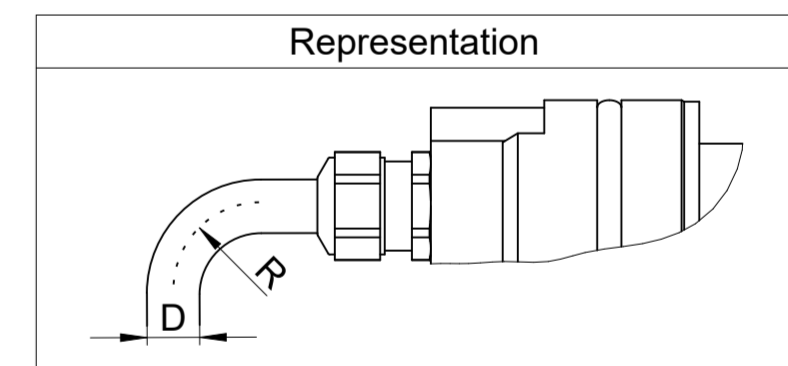


Power cable connection

| Color and wire number | Function | Drawing |
|-------------------------------|---------------|---------|
| Black wire with number 1 or U | Phase 1 (PH1) | |
| Black wire with number 2 or V | Phase 2 (PH2) | |
| Black wire with number 3 or W | Phase 3 (PH3) | |
| Yellow and green wire | Ground (GND) | |

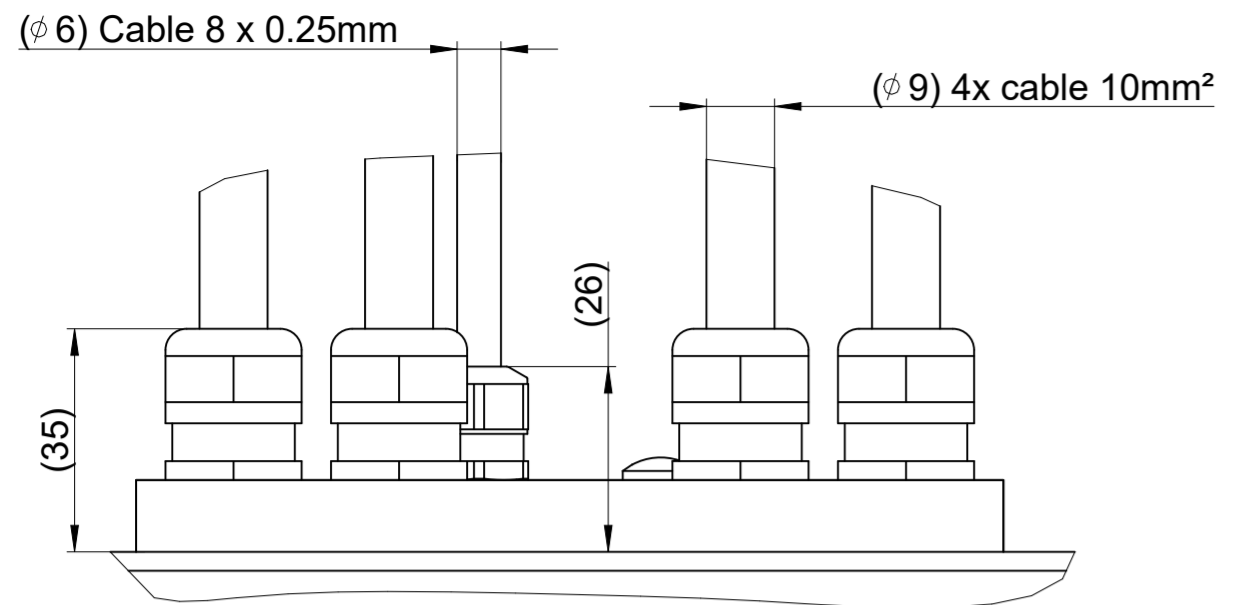
Wire section (mm²)

| Characteristics | 1 x 2.5 | 1 x 4 | 1 x 6 | 1 x 10 | 1 x 16 | Sensor cable |
|--------------------------------------|----------------------------------|-------------|----------------------------------|----------------------------------|--|--------------|
| Applicable motors | TMKi0175 TMKi0291 TMKi0360 | TMKi0360 | TMKi0175 TMKi0360 TMKi0530 | TMKi0291 TMKi0530 TMKi0761 | TMKi0360 TMKi0530 TMKi0761 TMKi0991 | All TMKi |
| Minimum bend radius for fixed cable | R = 4 X D | R = 4 X D | R = 4 X D | R = 4 X D | R = 4 X D | R = 6 X D |
| Minimum bend radius for moving cable | R = 7.5 X D | R = 7.5 X D | R = 7.5 X D | R = 7.5 X D | R = 7.5 X D | R = 12 X D |

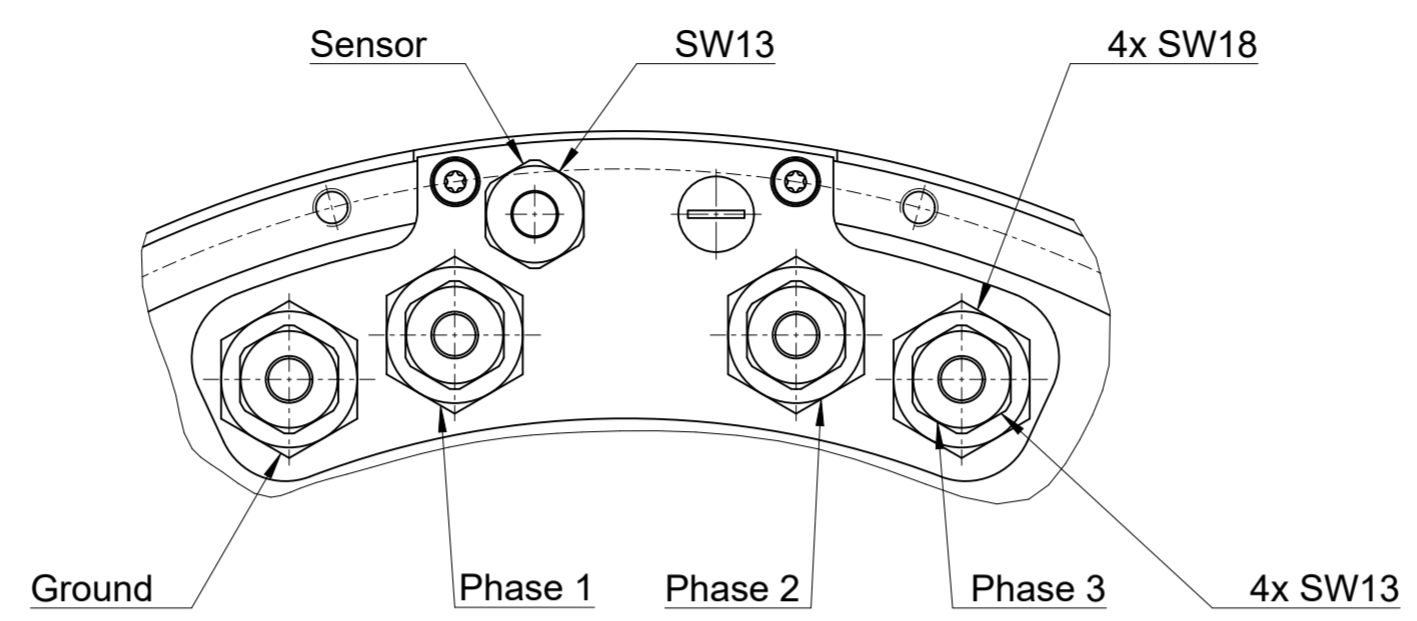


(*): Red wire (if present) is not connected on the motor side and cutted flush on cable extremity.

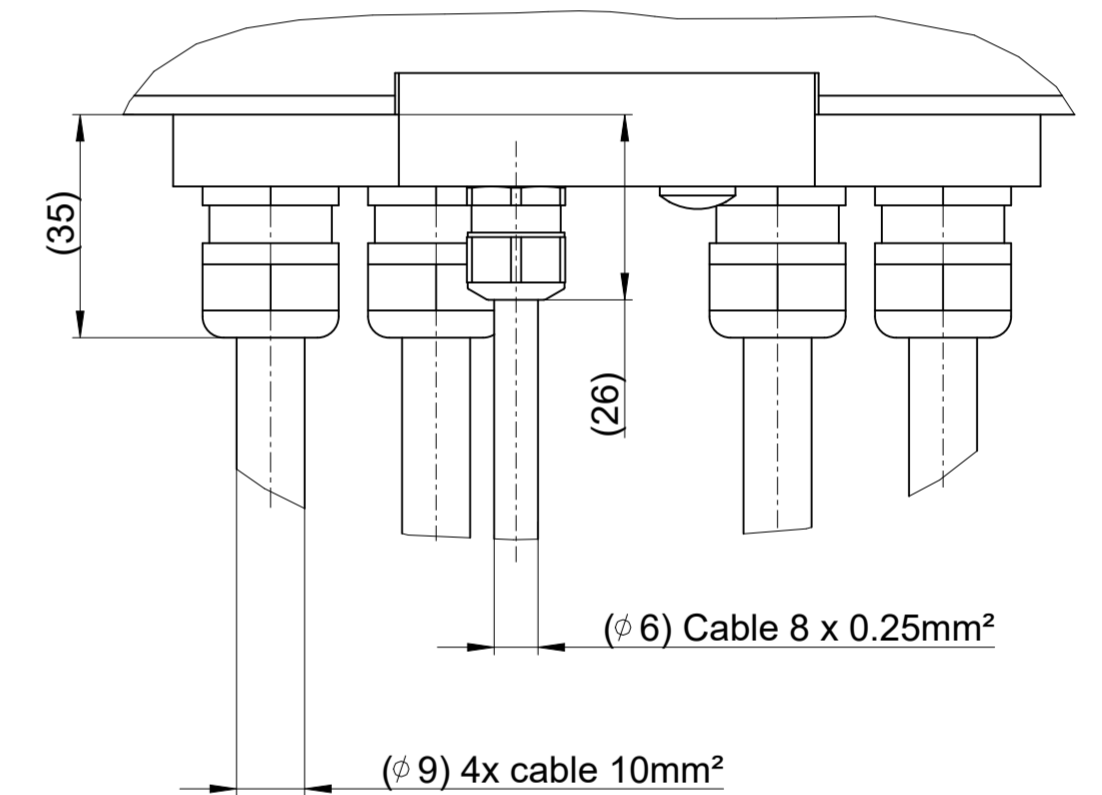
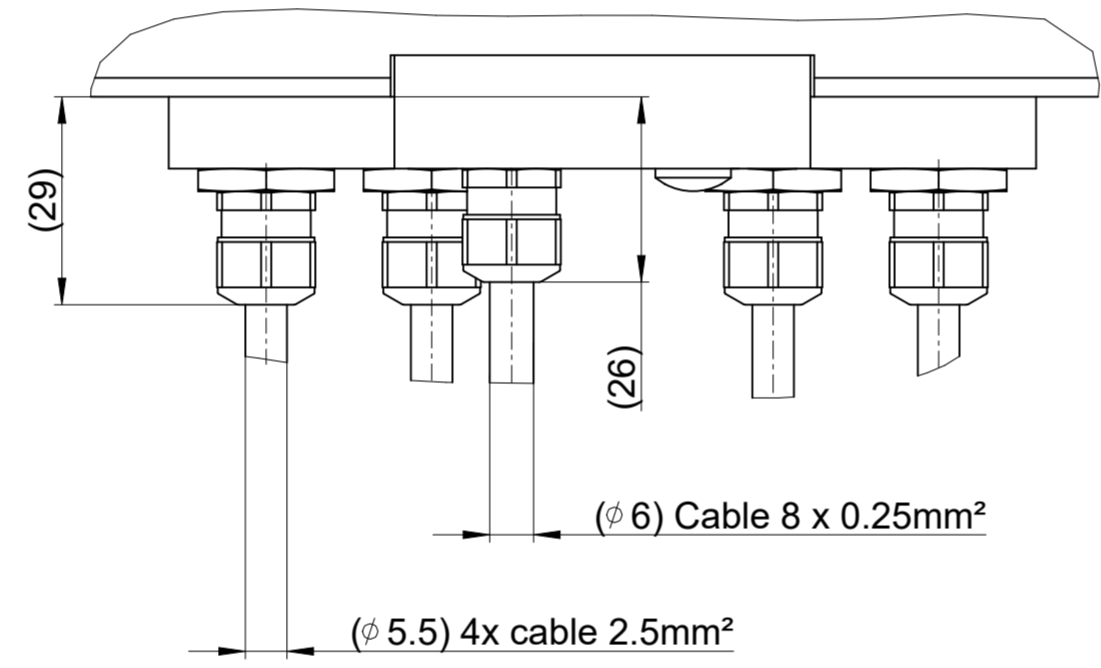
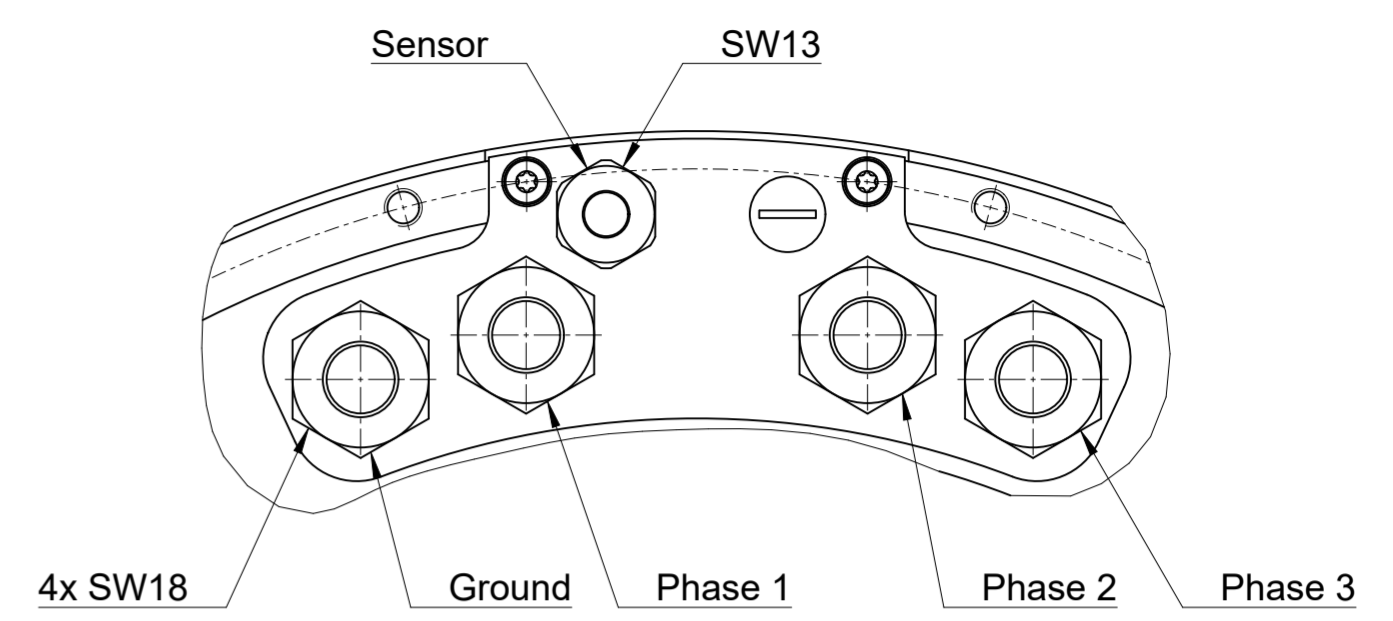
| | | | | | | | |
|---|--|--|--|---|--|--|--|
| Text: | | Original drawing Scale: 1:1 Format: A2 | | TMKi sensor config. and cables prop. (interface) | | ID number | |
| RoHS | | 1:1 A2 | | TMKi config. capteur et prop. câbles (interface) | | Change No. C138033-30 Released: 08.01.2024 | |
| Workpiece edges ISO 13715 Arêtes de formes selon ISO 13715 | | General tolerances ISO 2768:1989-mK Tolérances générales ISO 2768:1989-mK | | Surfaces as per ISO 1302:2002 Etats de surface selon ISO 1302:2002 | | Material: Matière: | |
| Tolerances as per ISO 8015 : 2011 Tolérances selon ISO 8015 : 2011 | | Surface treatment: Traitement de surface: | | ETEL | | Version/Revision/Sheet/ Page 1376587-00 - B-01 / 1 of 1 | |
| ETEL | | ETEL S.A. 2112 Môtiers SWITZERLAND | | Document number | | | |



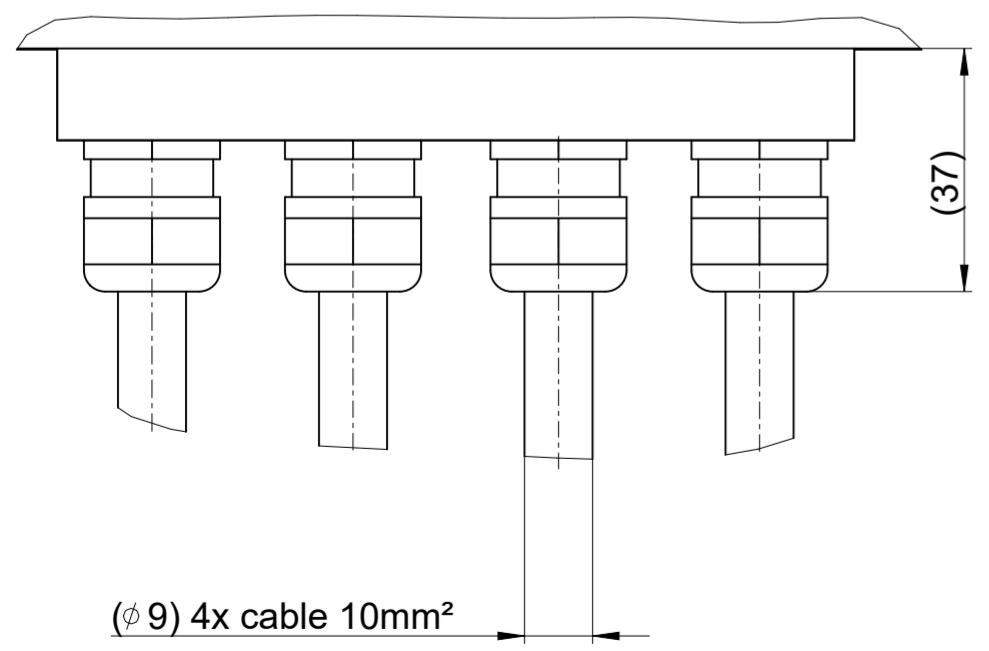
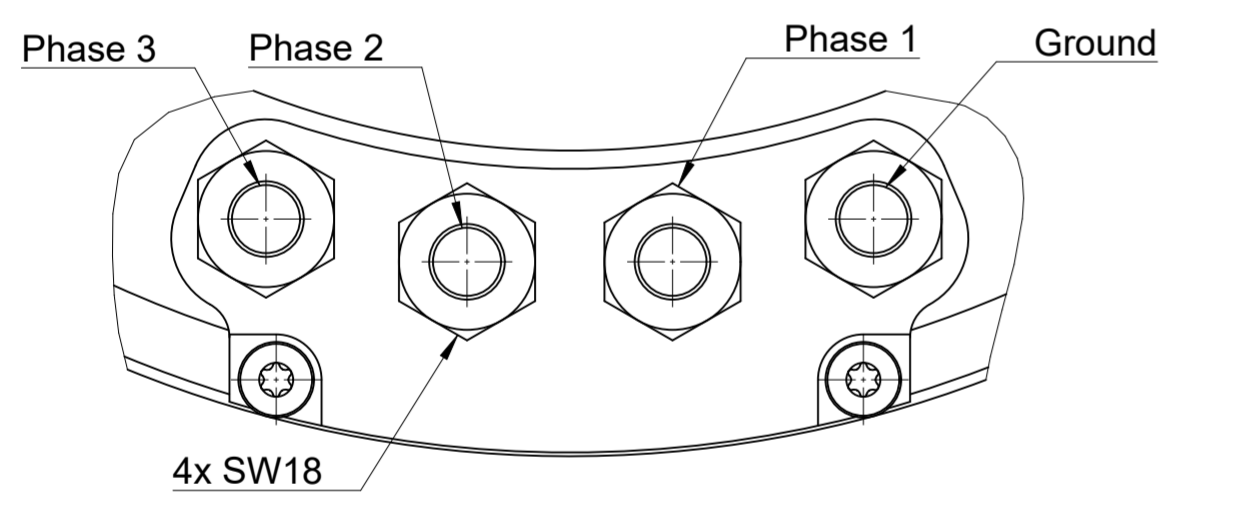
TMKi0291-###-VB#U#



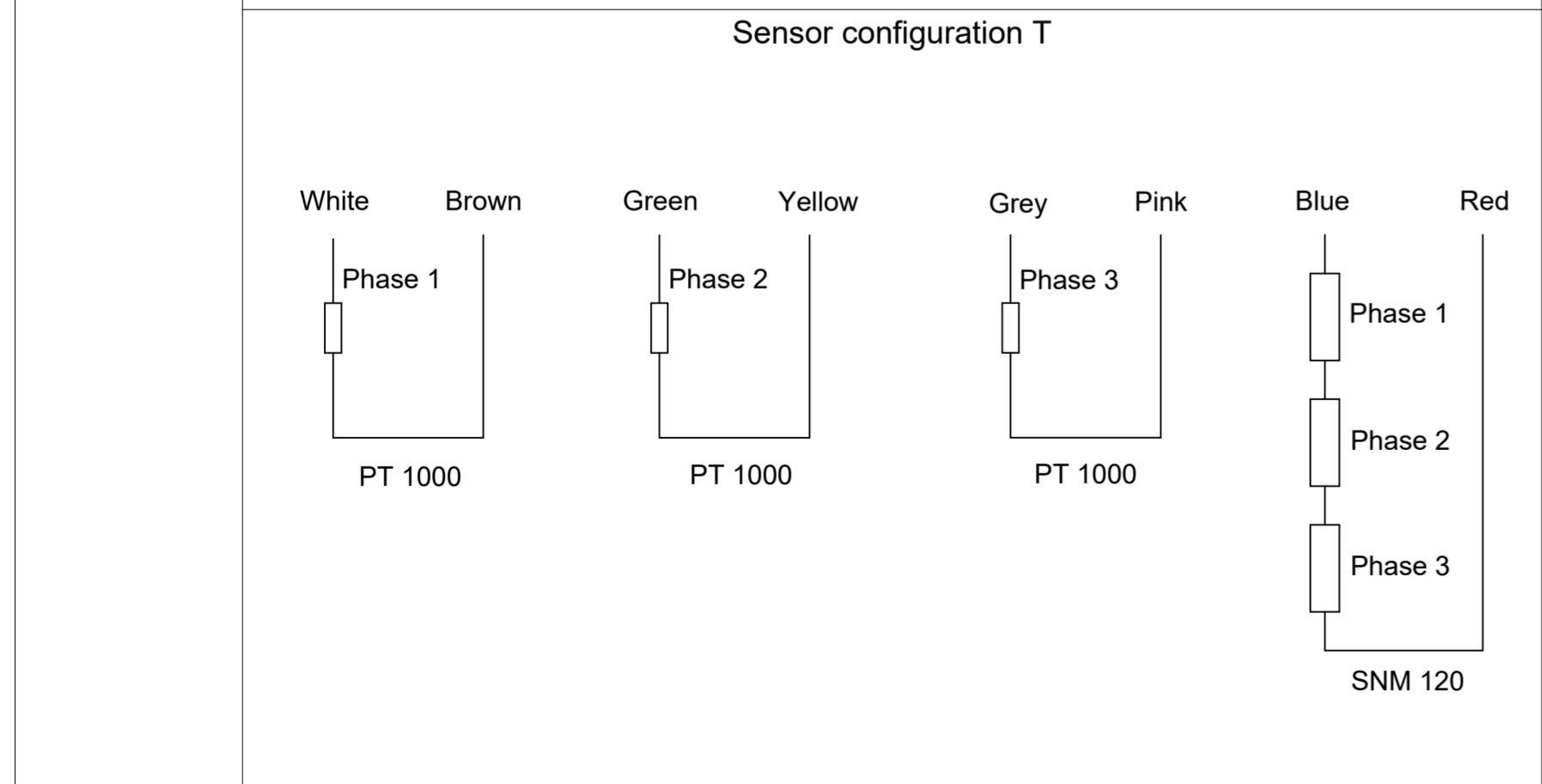
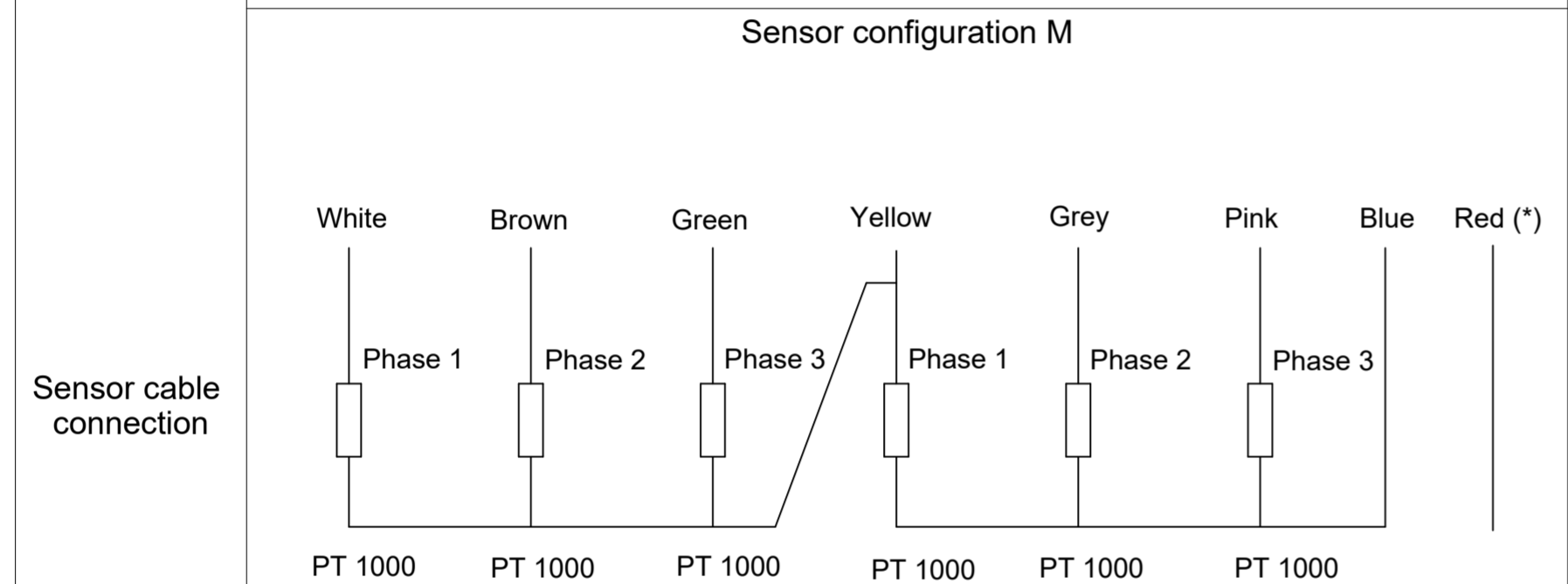
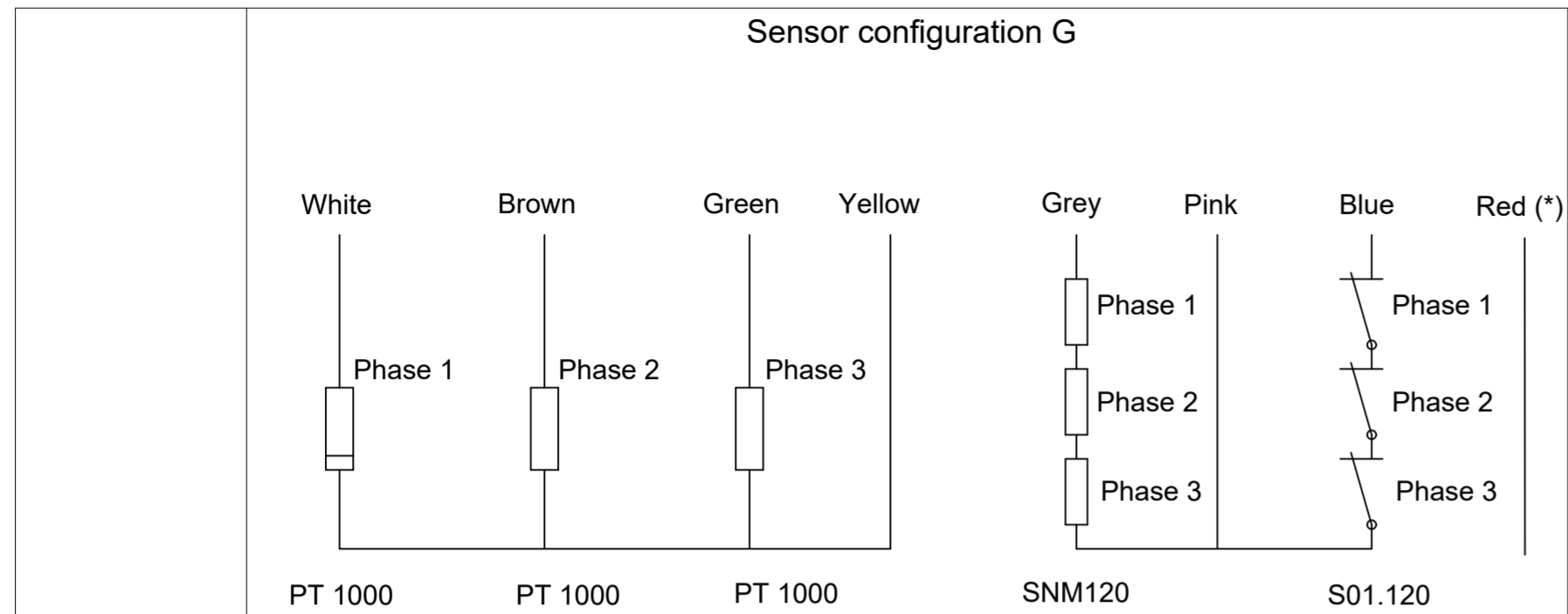
TMKi0291-###-VD#U#



TMKi0291-###-XD#U#



| | | |
|---|-----|--|
| Text: | | ID number: |
| Original drawing | | Change No. C171500-15 |
| Scale | | Released: 24.04.2024 |
| Format | | Tolerances as per ISO 8015 : 2011 |
| Dimensions in mm | 1:1 | Tolérances selon ISO 8015 : 2011 |
| | A2 | Dimensions without tolerance ISO |
| Mating Dimensions / Cotes d'encombrement | | Dimensions sans tolérances 2768-mk |
| The reproduction, distribution and utilization of this document as well as the communication of its contents to others without express authorization is prohibited. Offenders will be held liable for the payment of damages. All rights reserved in the event of the grant of a patent, utility model or design. (ISO 16016) | | |
| ETEL ETEL S.A. 2112 Môtiers SWITZERLAND | | Version Revision Sheet Page 1375312-04 - B-01 2 of 2 |

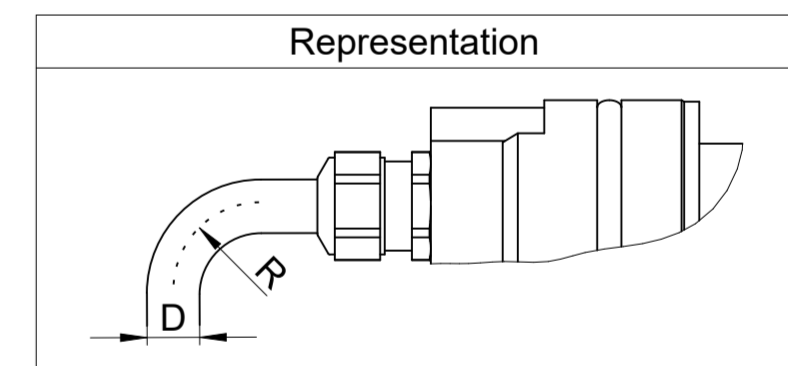


Power cable connection

| Color and wire number | Function | Drawing |
|-------------------------------|---------------|---------|
| Black wire with number 1 or U | Phase 1 (PH1) | |
| Black wire with number 2 or V | Phase 2 (PH2) | |
| Black wire with number 3 or W | Phase 3 (PH3) | |
| Yellow and green wire | Ground (GND) | |

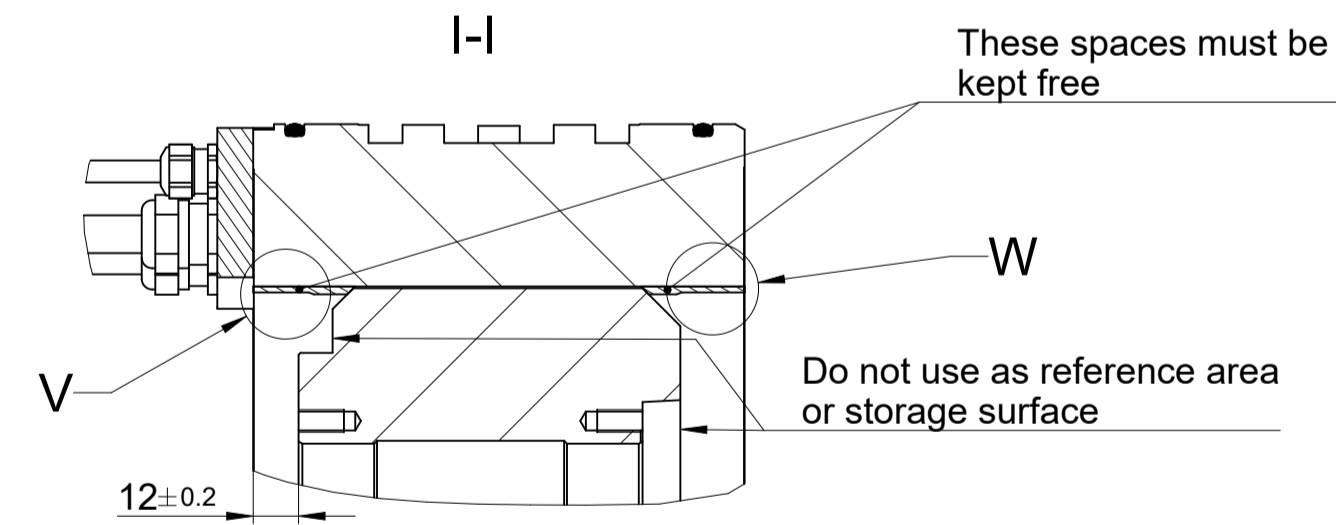
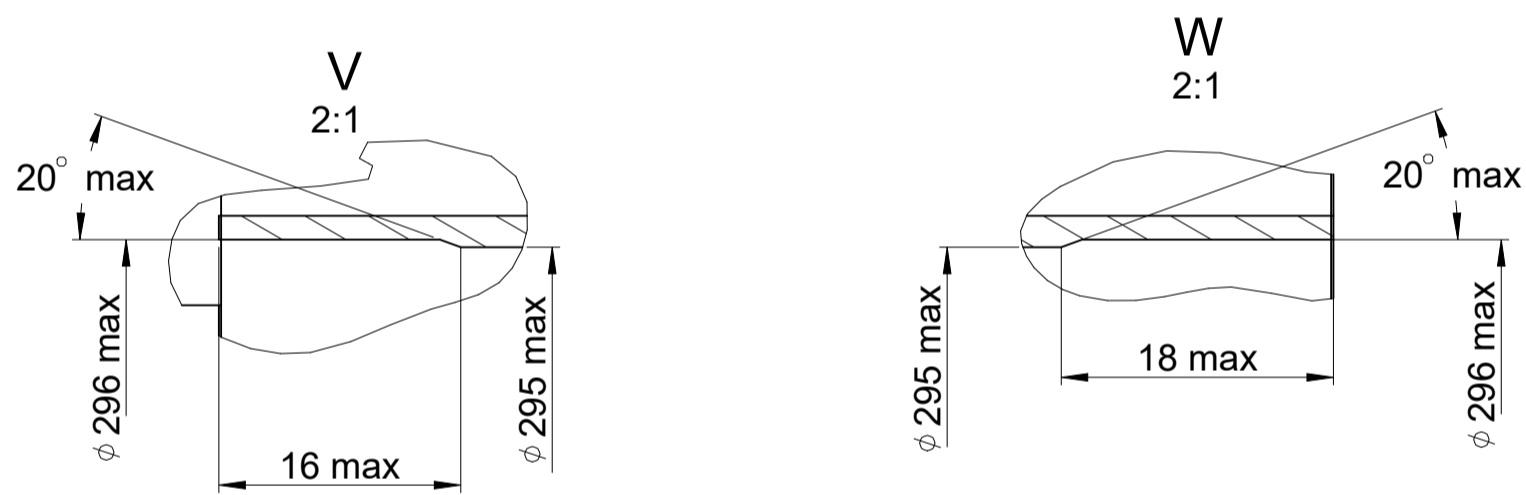
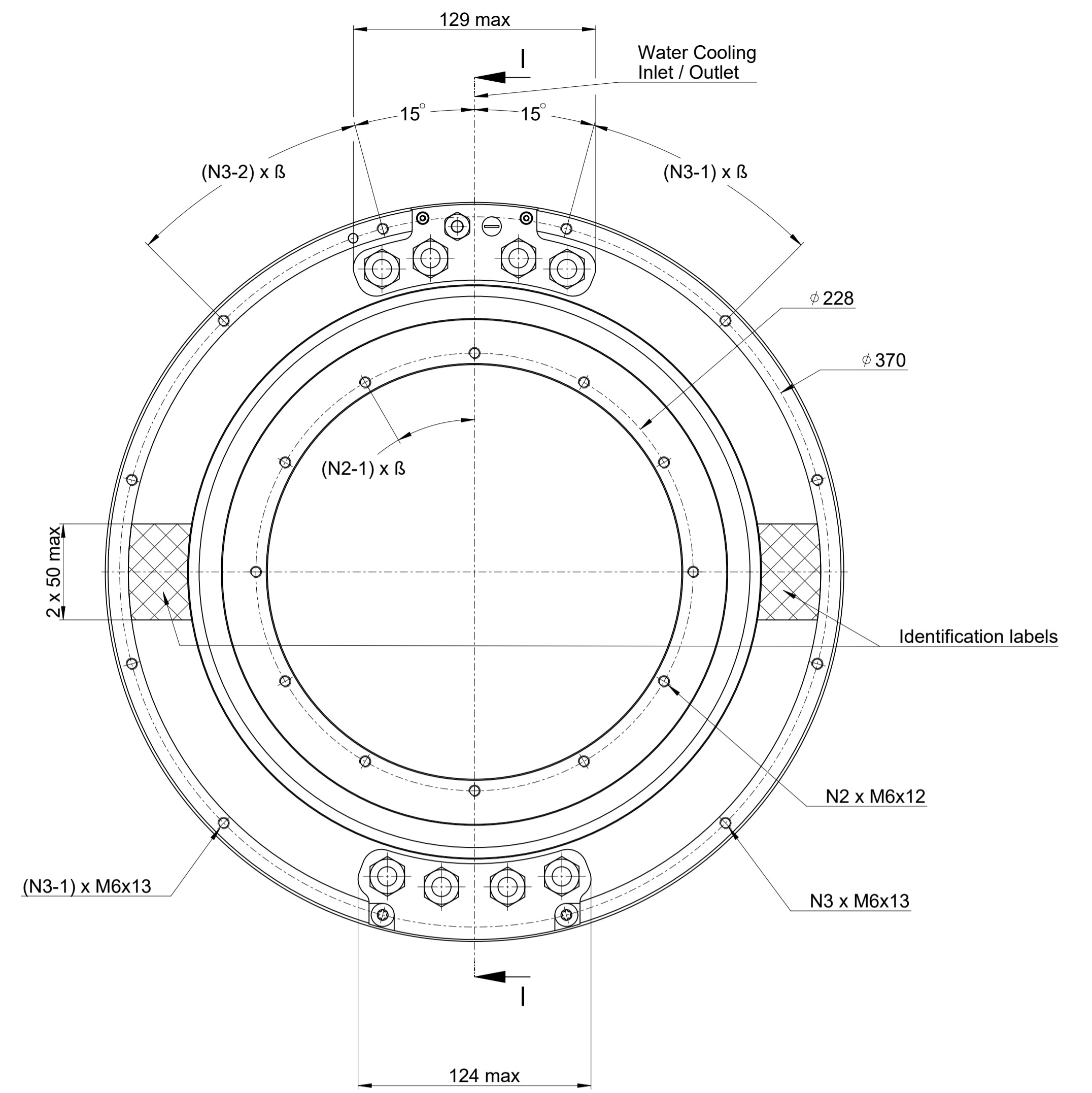
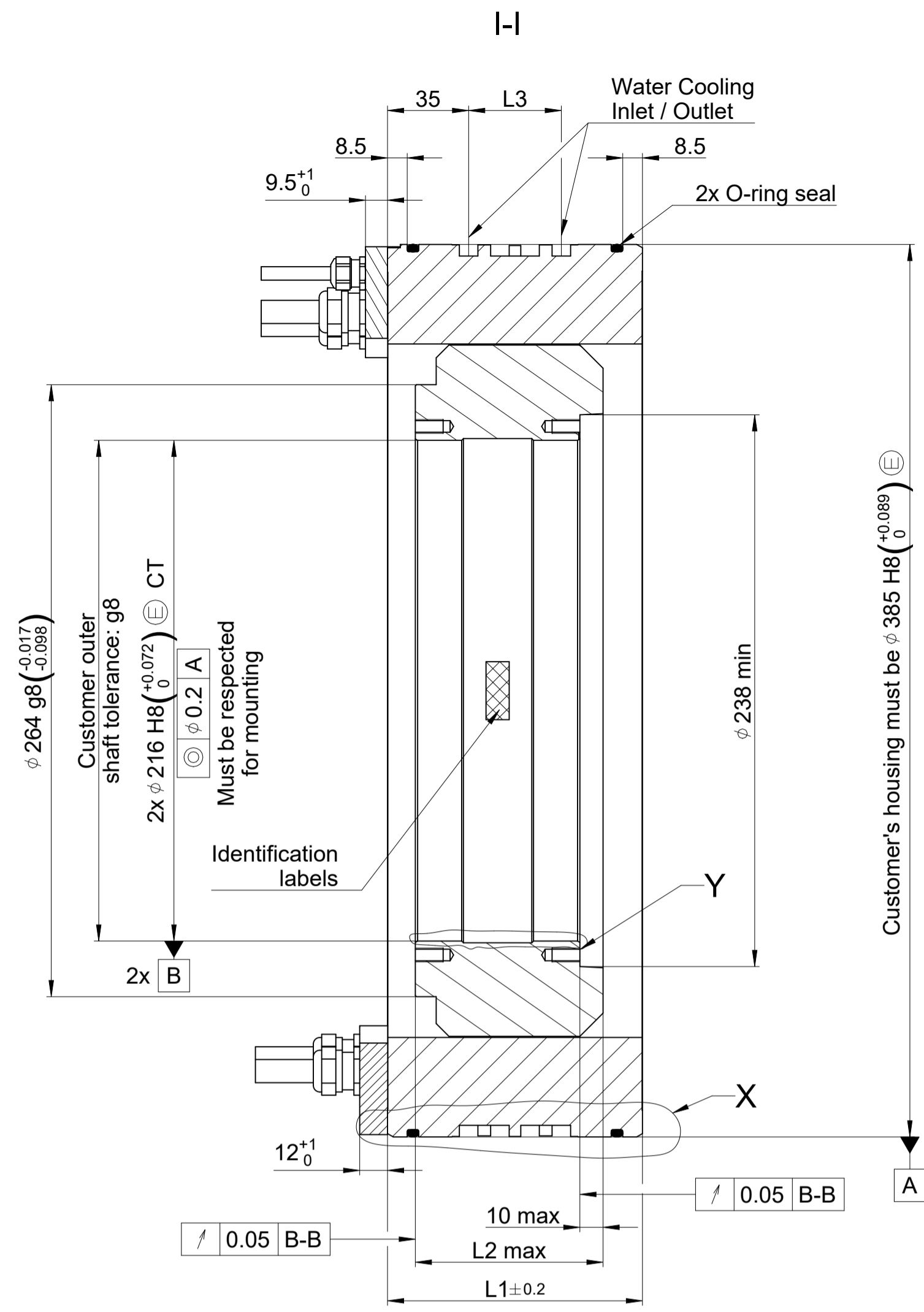
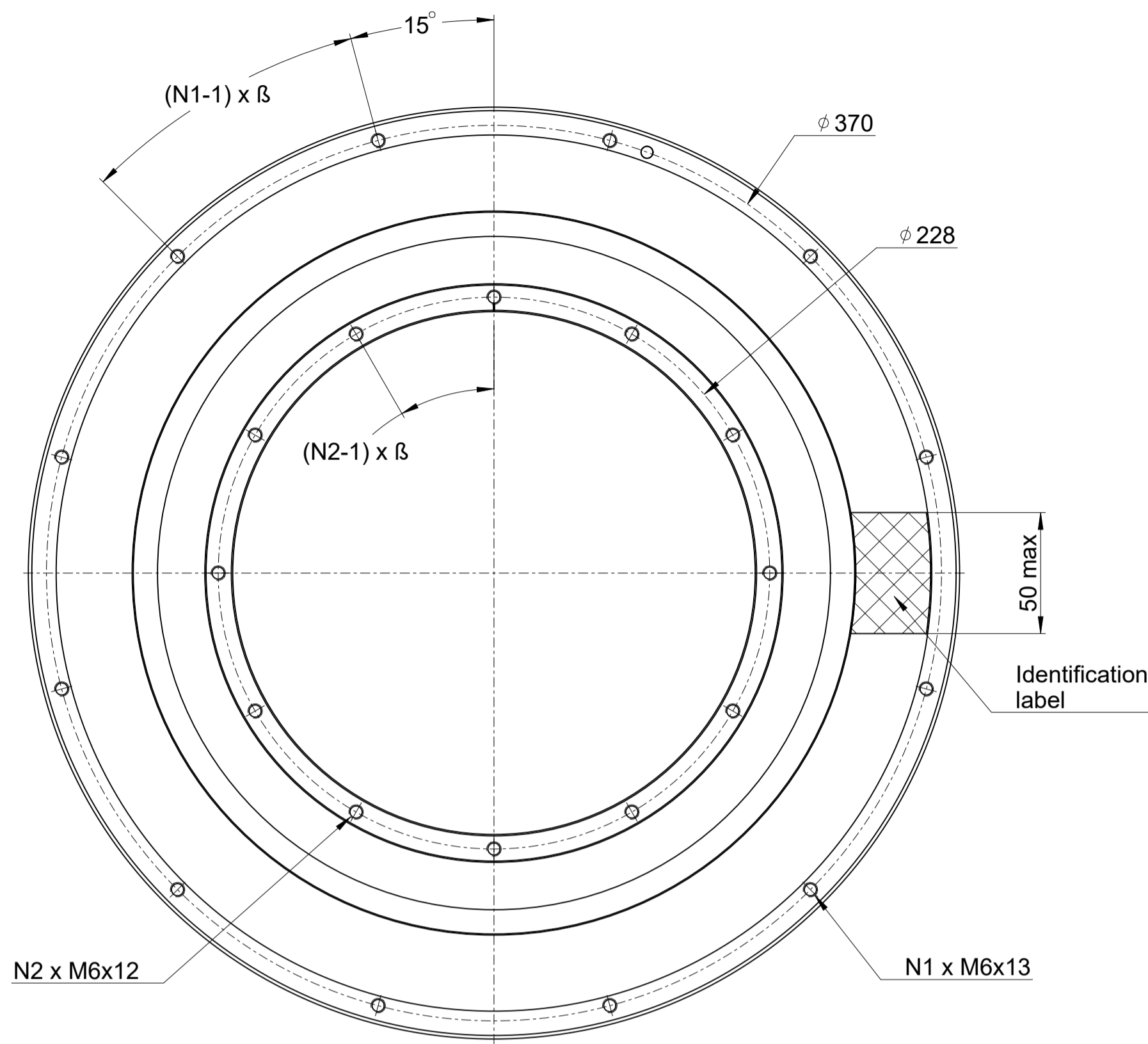
Wire section (mm²)

| Characteristics | 1 x 2.5 | 1 x 4 | 1 x 6 | 1 x 10 | 1 x 16 | Sensor cable |
|--------------------------------------|----------------------------------|-------------|----------------------------------|----------------------------------|--|--------------|
| Applicable motors | TMKi0175 TMKi0291 TMKi0360 | TMKi0360 | TMKi0175 TMKi0360 TMKi0530 | TMKi0291 TMKi0530 TMKi0761 | TMKi0360 TMKi0530 TMKi0761 TMKi0991 | All TMKi |
| Minimum bend radius for fixed cable | R = 4 X D | R = 4 X D | R = 4 X D | R = 4 X D | R = 4 X D | R = 6 X D |
| Minimum bend radius for moving cable | R = 7.5 X D | R = 7.5 X D | R = 7.5 X D | R = 7.5 X D | R = 7.5 X D | R = 12 X D |

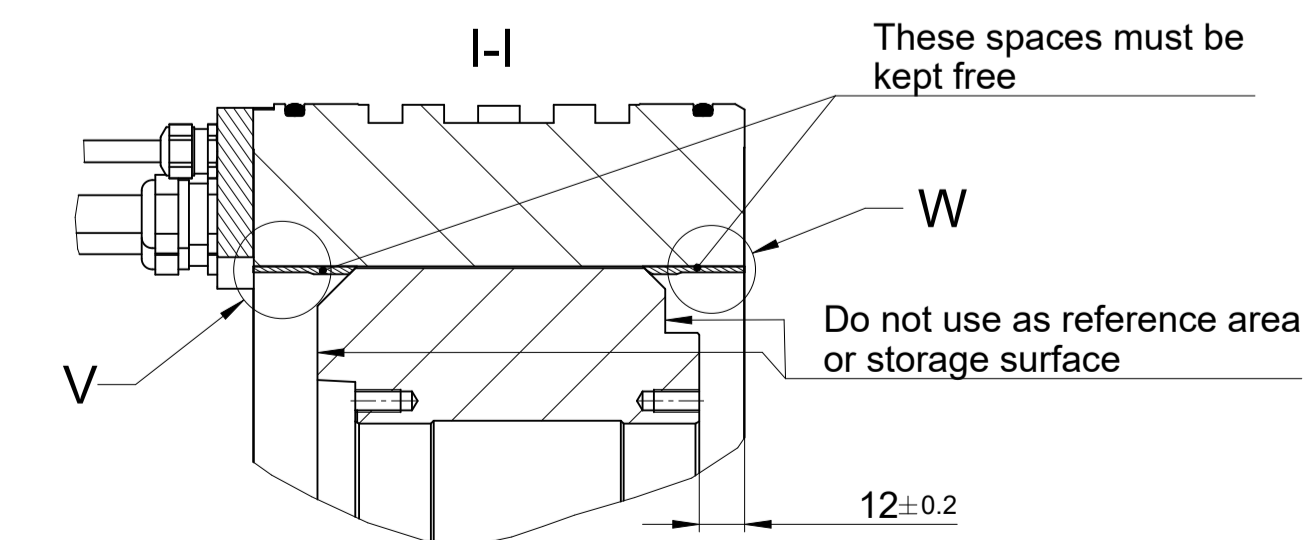
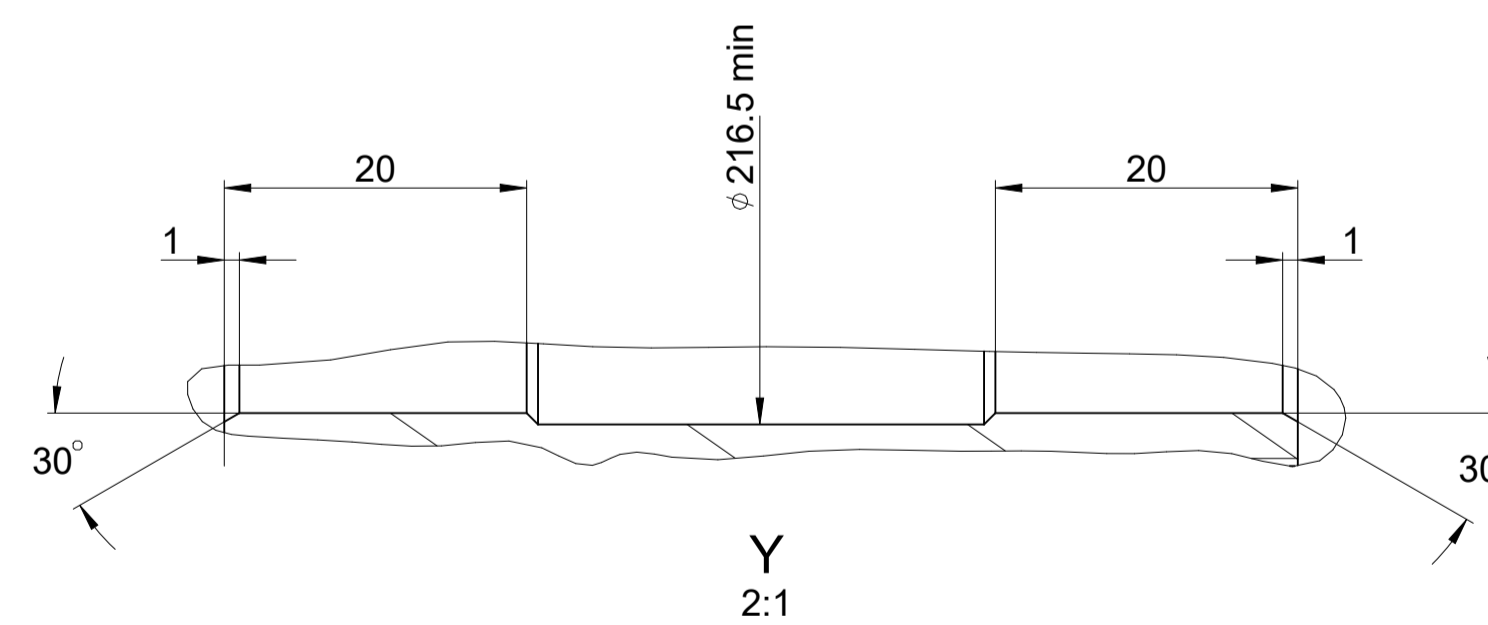


(*): Red wire (if present) is not connected on the motor side and cutted flush on cable extremity.

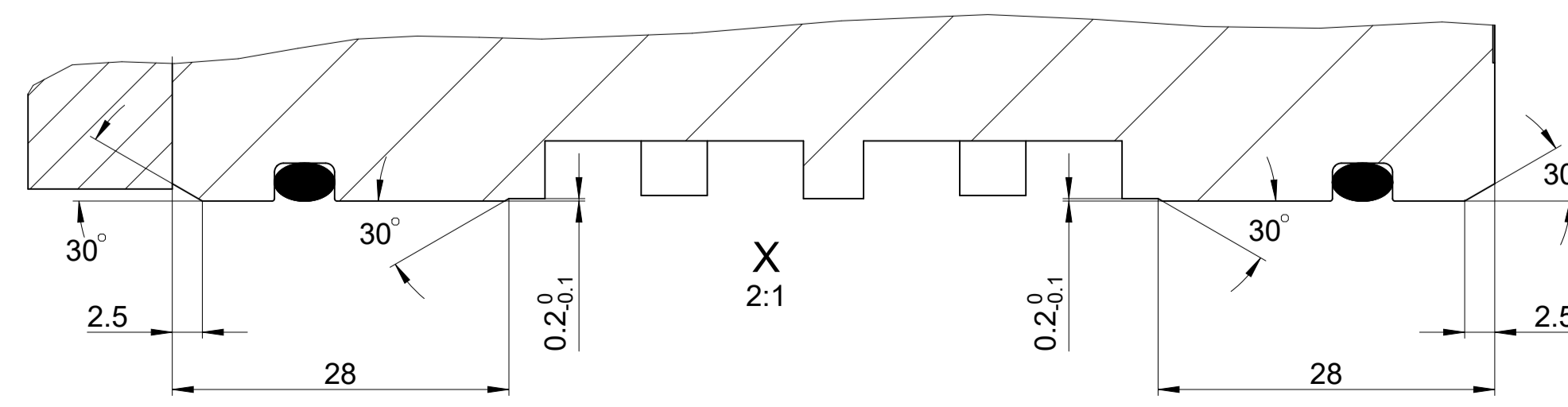
| | | | | | | | |
|---|--|--|--|---|--|---|--|
| Text: | | Original drawing Scale: 1:1 Format: A2 | | TMKi sensor config. and cables prop. (interface) | | ID number | |
| RoHS | | 1:1 A2 | | TMKi config. capteur et prop. câbles (interface) | | Change No. C138033-30 Released: 08.01.2024 | |
| Workpiece edges ISO 13715 Arêtes de formes selon ISO 13715 | | General tolerances ISO 2768:1989-mK Tolérances générales ISO 2768:1989-mK | | Surfaces as per ISO 1302:2002 Etats de surface selon ISO 1302:2002 | | Material: Matière: | |
| Dimensions in mm / Cotes en mm | | Mating Dimensions / Cotes d'encombrement | | Tolerances as per ISO 8015 : 2011 Tolérances selon ISO 8015 : 2011 | | Surface treatment: Traitement de surface: | |
| The reproduction, distribution and utilization of this document as well as the communication of its contents to others without express authorization is prohibited. Offenders will be held liable for the payment of damages. All rights reserved in the event of the grant of a patent, utility model or design. (ISO 16016) | | | | | | | |
| ETEL | | ETEL S.A. 2112 Môtiers SWITZERLAND | | Version/Revision/Sheet | | Page | |
| 1376587-00-B-01 | | | | | | 1 of 1 | |
| Document number | | | | | | | |



Rotor shoulder position on cable side



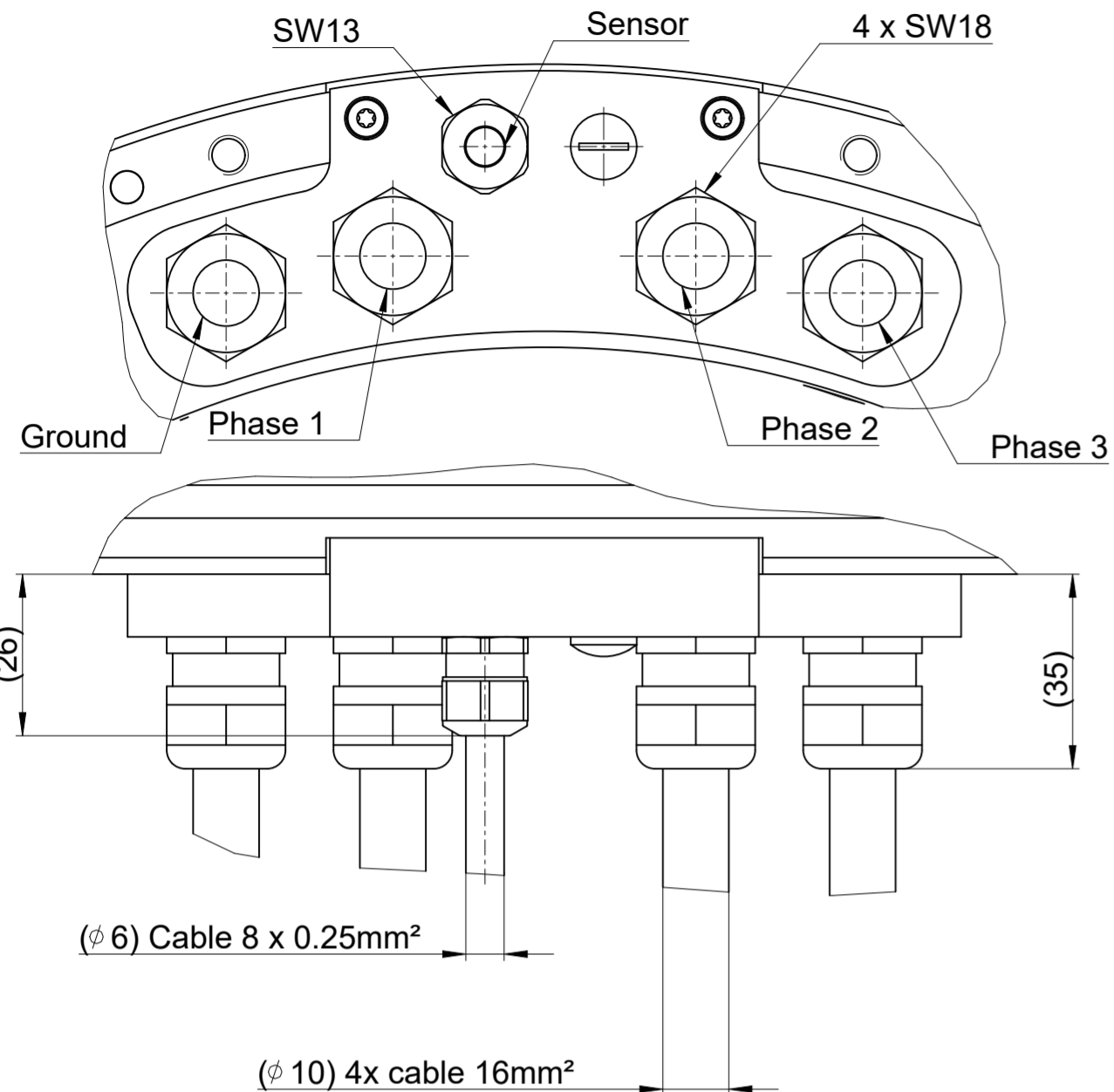
Rotor shoulder position on opposite side of cable



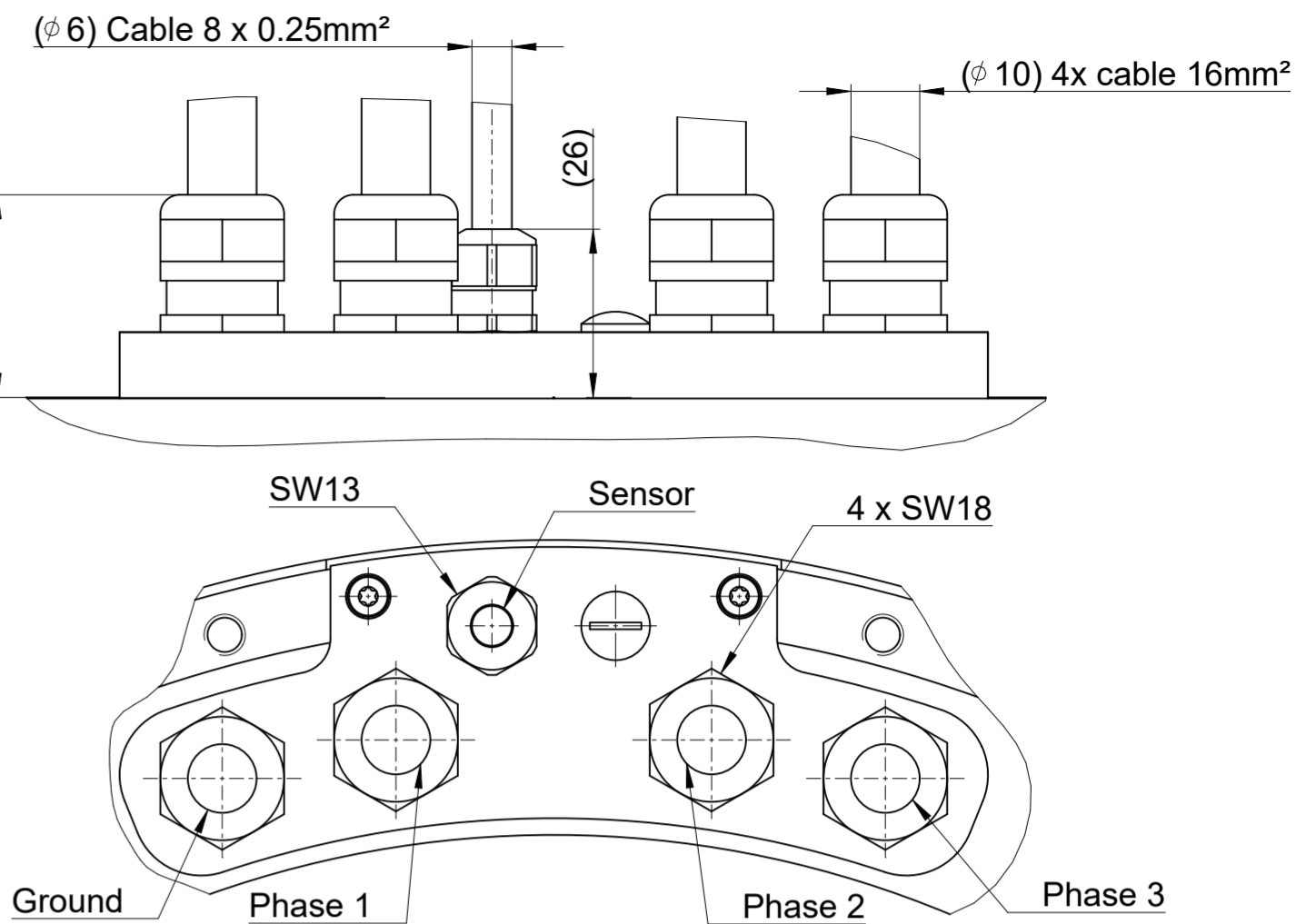
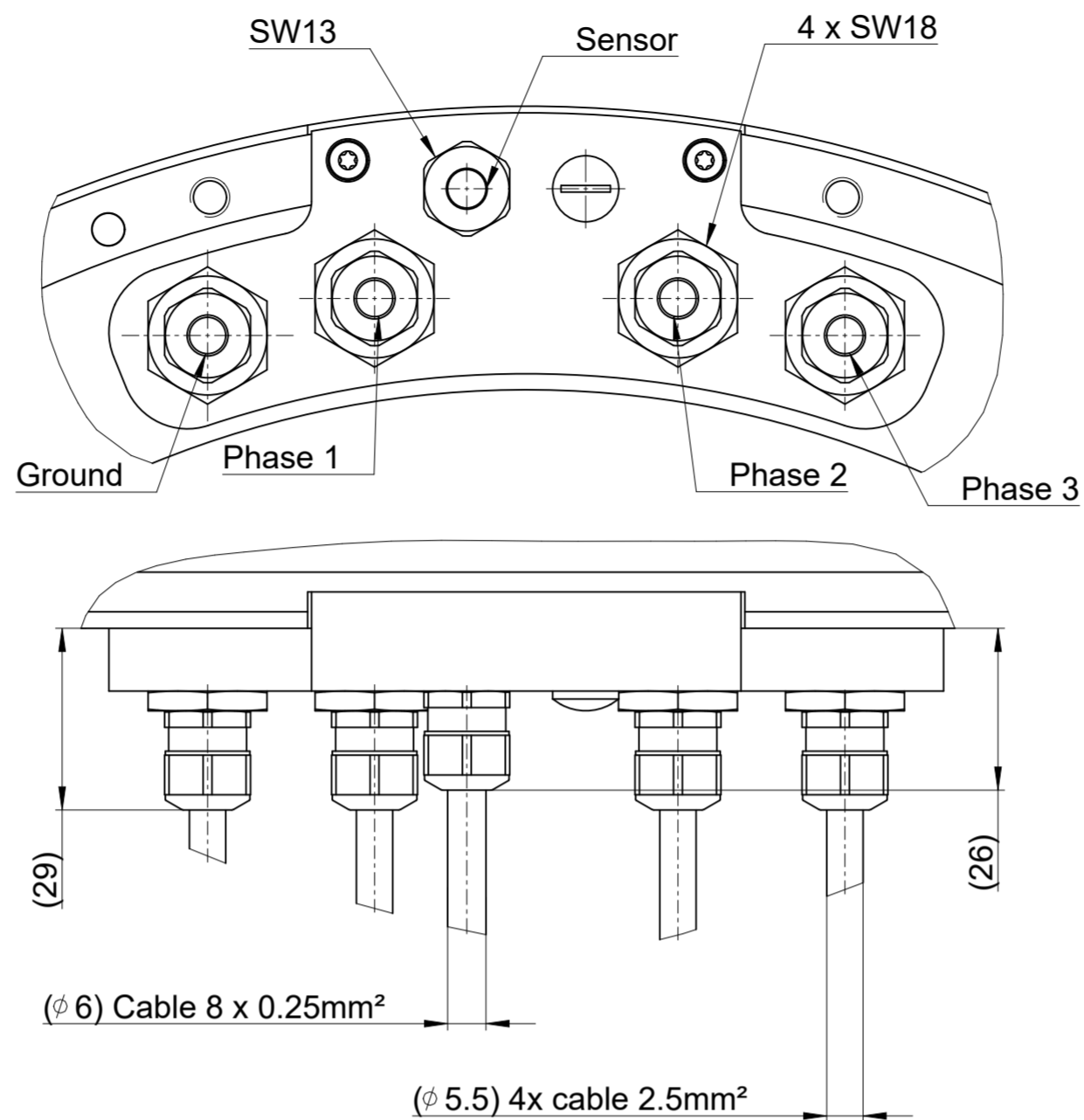
| Designation | L1 | L2 | L3 | N1 | N2 | N3 | β |
|--------------|-----|-----|-----|----|----|----|-----|
| TMKi0360-050 | 110 | 81 | 40 | 12 | 12 | 6 | 30° |
| TMKi0360-070 | 130 | 101 | 60 | 12 | 12 | 6 | 30° |
| TMKi0360-100 | 160 | 131 | 90 | 24 | 24 | 12 | 15° |
| TMKi0360-150 | 210 | 181 | 140 | 24 | 24 | 12 | 15° |

| | | | |
|---|--------|--|--------------------------------------|
| Text: | | ID number: | C171500-21 |
| Original drawing | | Change No.: | 15.05.2024 |
| Scale: | 1:2 | Released: | 15.05.2024 |
| Format: | A1 | Tolerances as per ISO 8015 : 2011 Tolérances selon ISO 8015 : 2011 | |
| Dimensions in mm: | 1:2 A1 | Dimensions without tolerance ISO Dimensions sans tolérances 2788-mk | |
| The reproduction, distribution and utilization of this document as well as the communication of its contents to others without express authorization is prohibited. Offenders will be held liable for the payment of damages. All rights reserved in the event of the grant of a patent, utility model or design. (ISO 18015) | | | |
| ETEL ETEL S.A. 2112 Möllers SWITZERLAND | | Version / Revision / Sheet / Page | 1375363-04 - B-01 Document number |

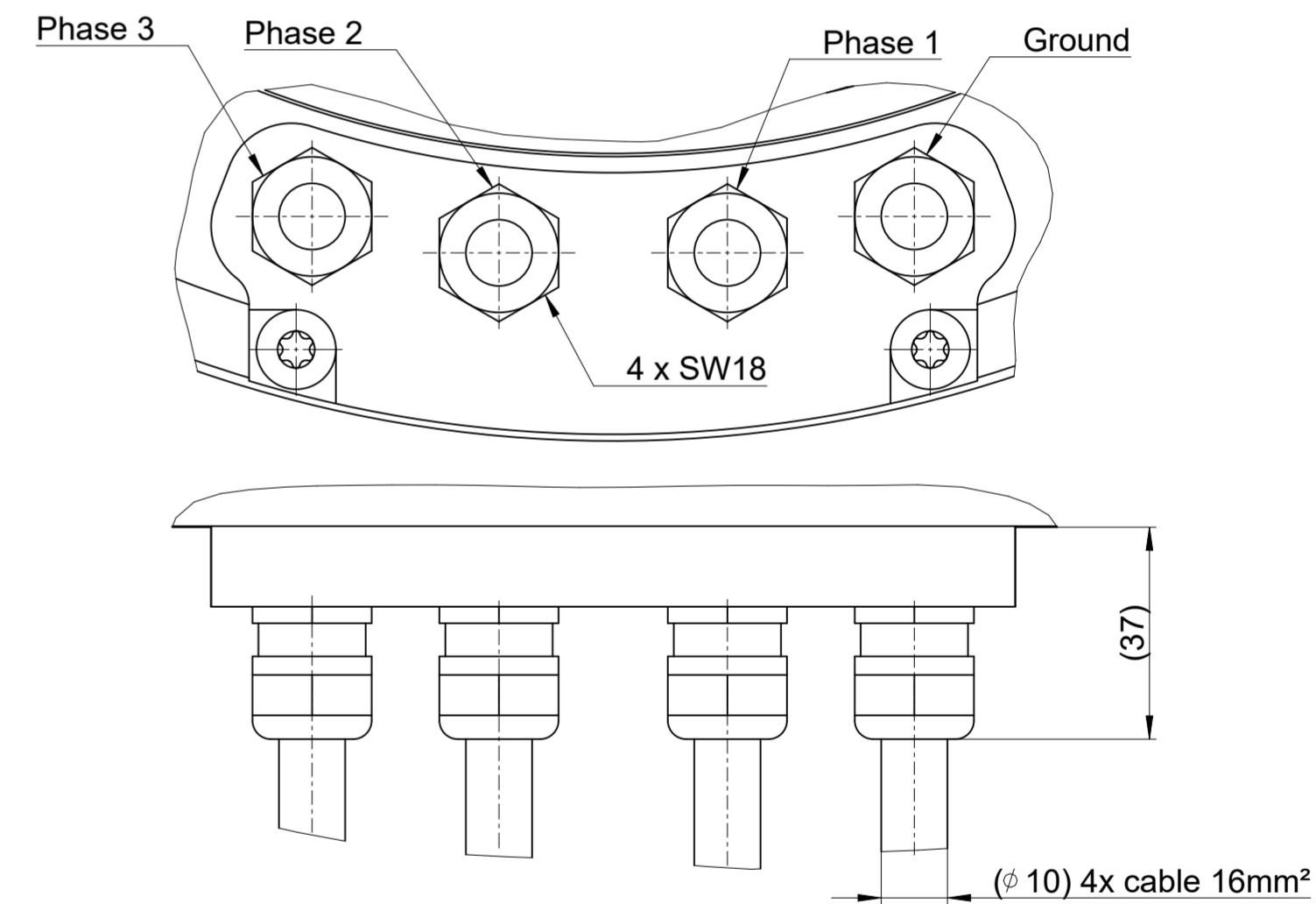
TMKi0360-###-UF#U#



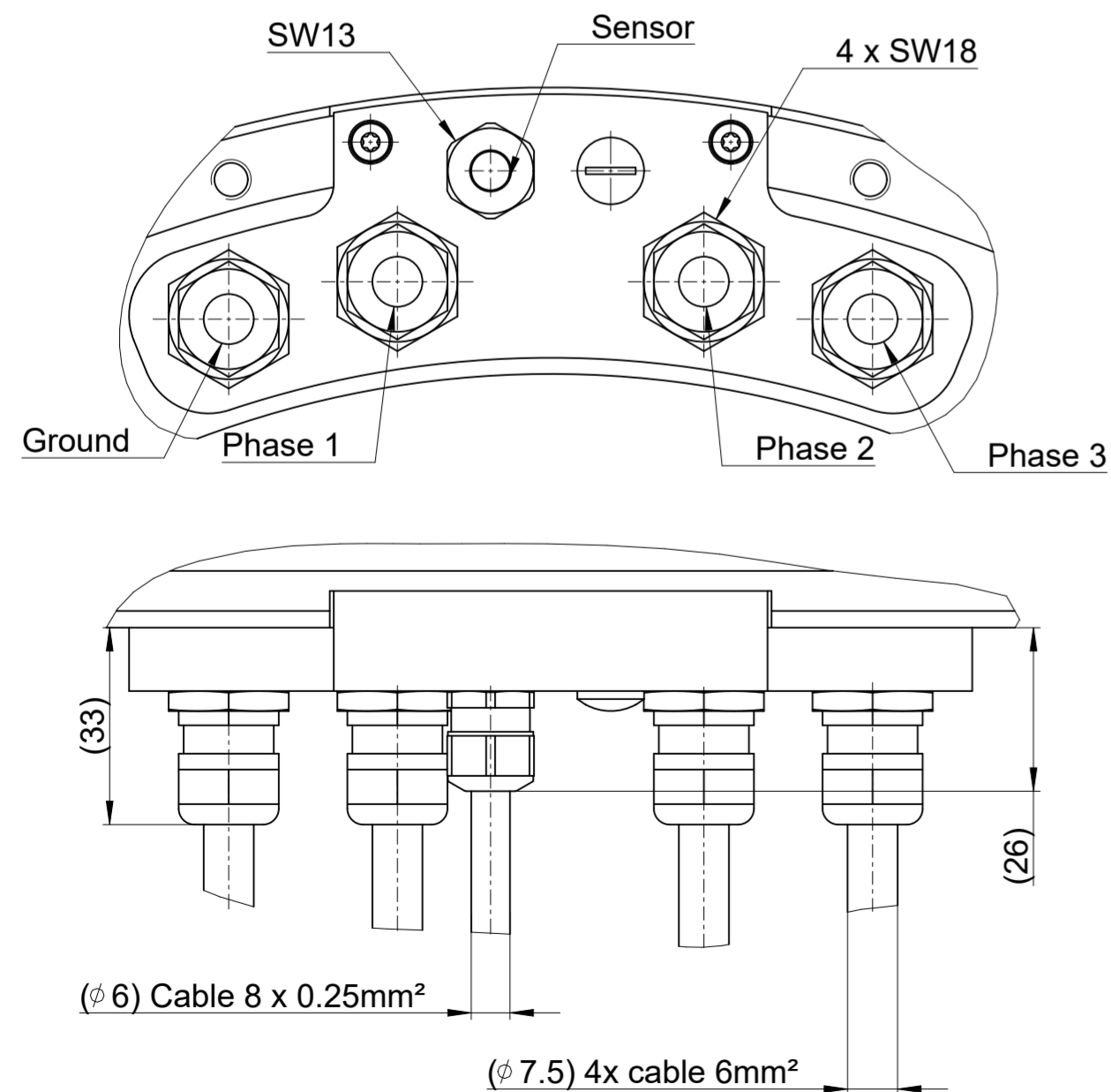
TMKi0360-###-UB#U#



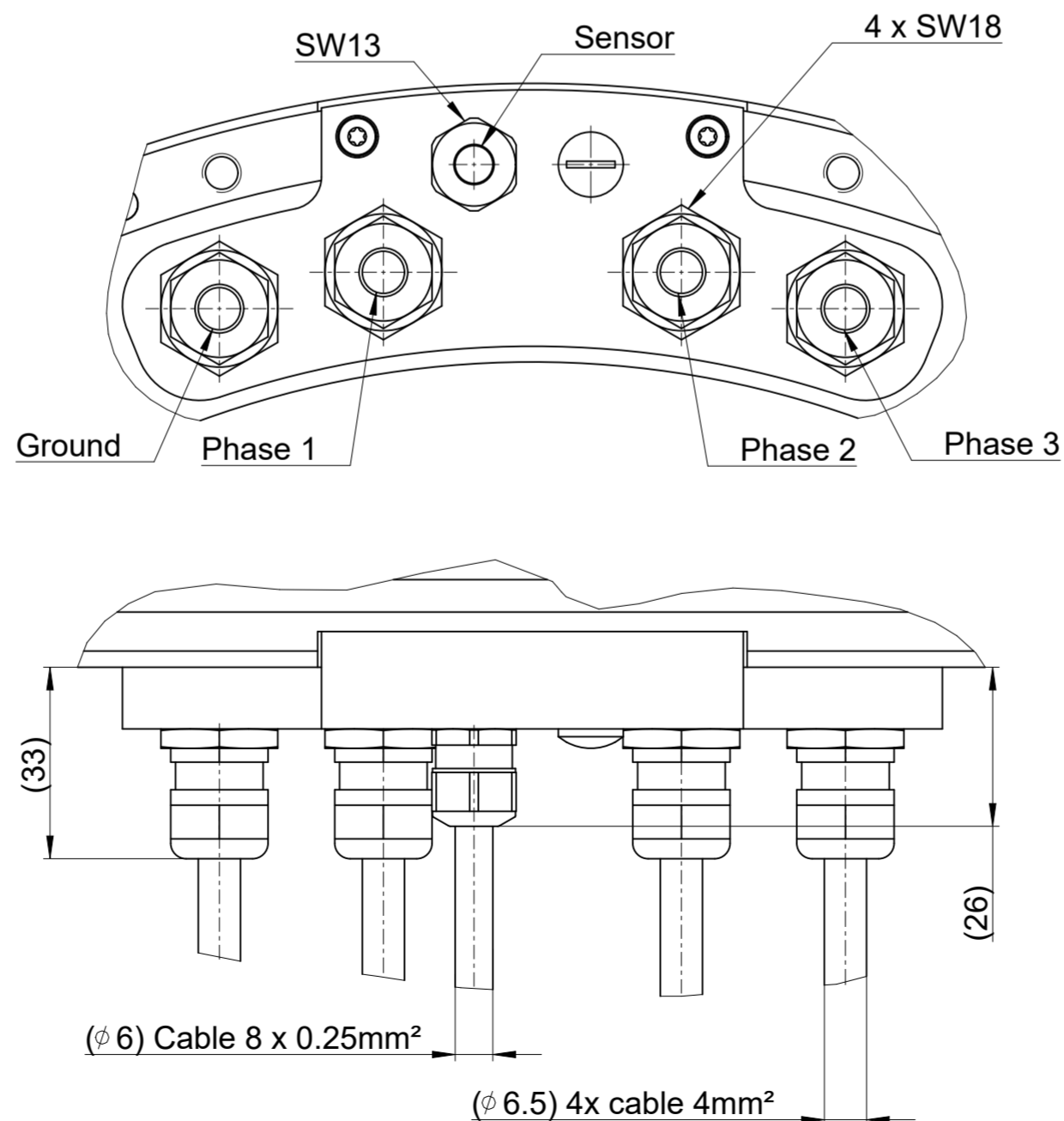
TMKi0360-###-XF#U#



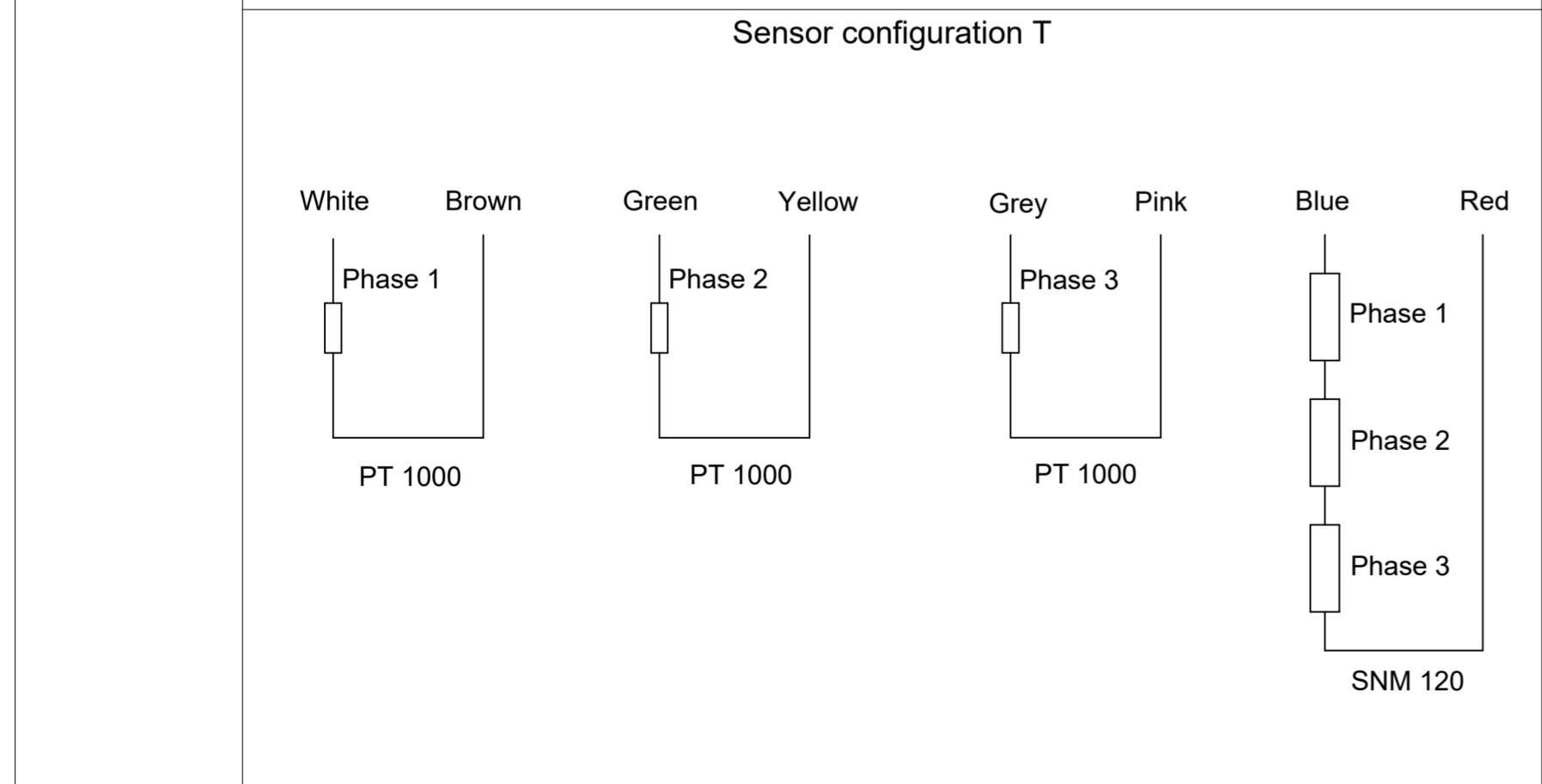
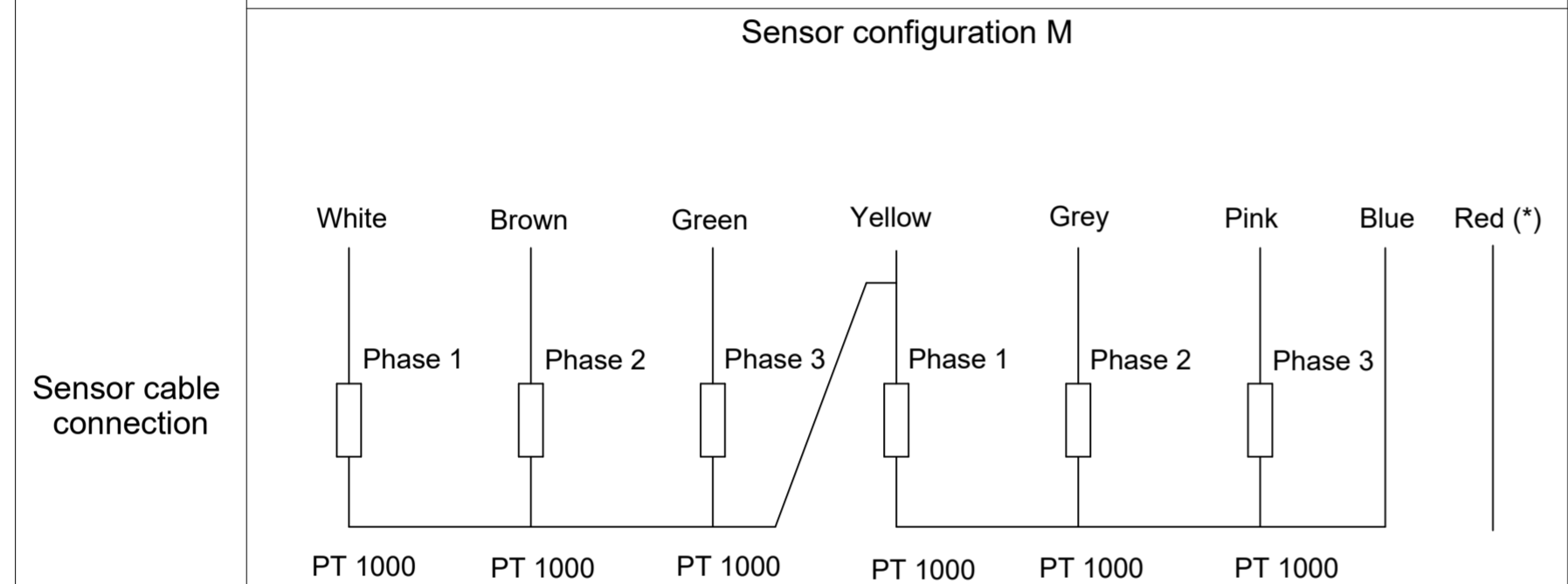
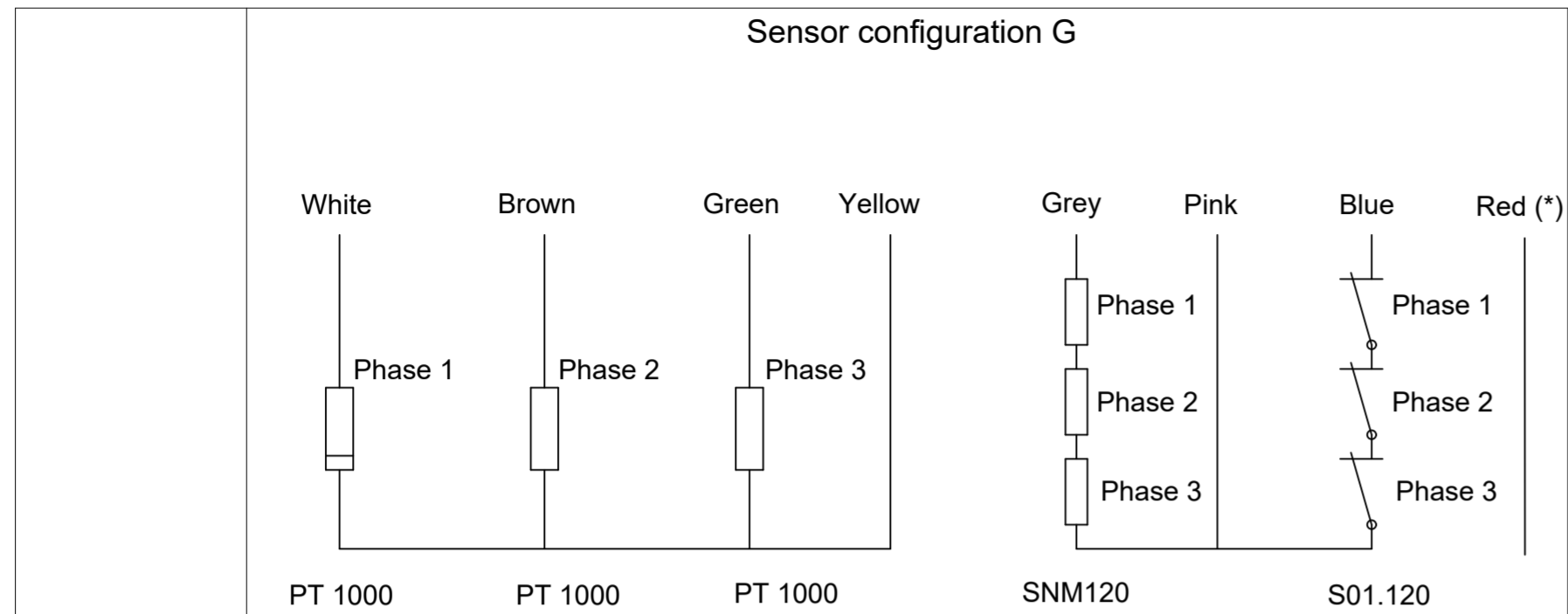
TMKi0360-###-XB#U#



TMKi0360-###-UC#U#



| | | |
|---|--|--|
| Text: | | ID number: |
| Original drawing | | Change No. C171500-21 |
| Scale | | Released: 15.05.2024 |
| Format | | Tolerances as per ISO 8015 : 2011 |
| Dimensions in mm | | Tolerances selon ISO 8015 : 2011 |
| 1:2 | | Dimensions without tolerance ISO |
| A2 | | Dimensions sans tolérances 2768-mk |
| TMKi0360-###-#####-O#-AA5 | | |
| TMKi0360-###-#####-O#-AA5 | | |
| Mating Dimensions / Cotes d'encombrement | | |
| The reproduction, distribution and utilization of this document as well as the communication of its contents to others without express authorization is prohibited. Offenders will be held liable for the payment of damages. All rights reserved in the event of the grant of a patent, utility model or design. (ISO 16016) | | |
| ETEL ETEL S.A. 2112 Môtiers SWITZERLAND | | Version Revision Sheet Page 1375363-04 - B-01 2 of 2 |
| Document number | | |

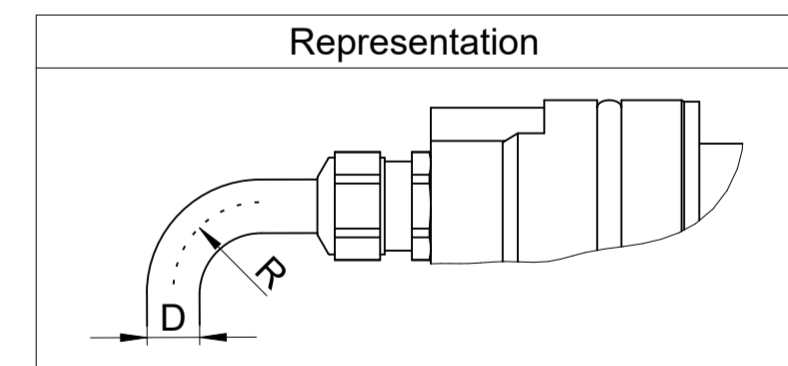


Power cable connection

| Color and wire number | Function | Drawing |
|-------------------------------|---------------|---------|
| Black wire with number 1 or U | Phase 1 (PH1) | |
| Black wire with number 2 or V | Phase 2 (PH2) | |
| Black wire with number 3 or W | Phase 3 (PH3) | |
| Yellow and green wire | Ground (GND) | |

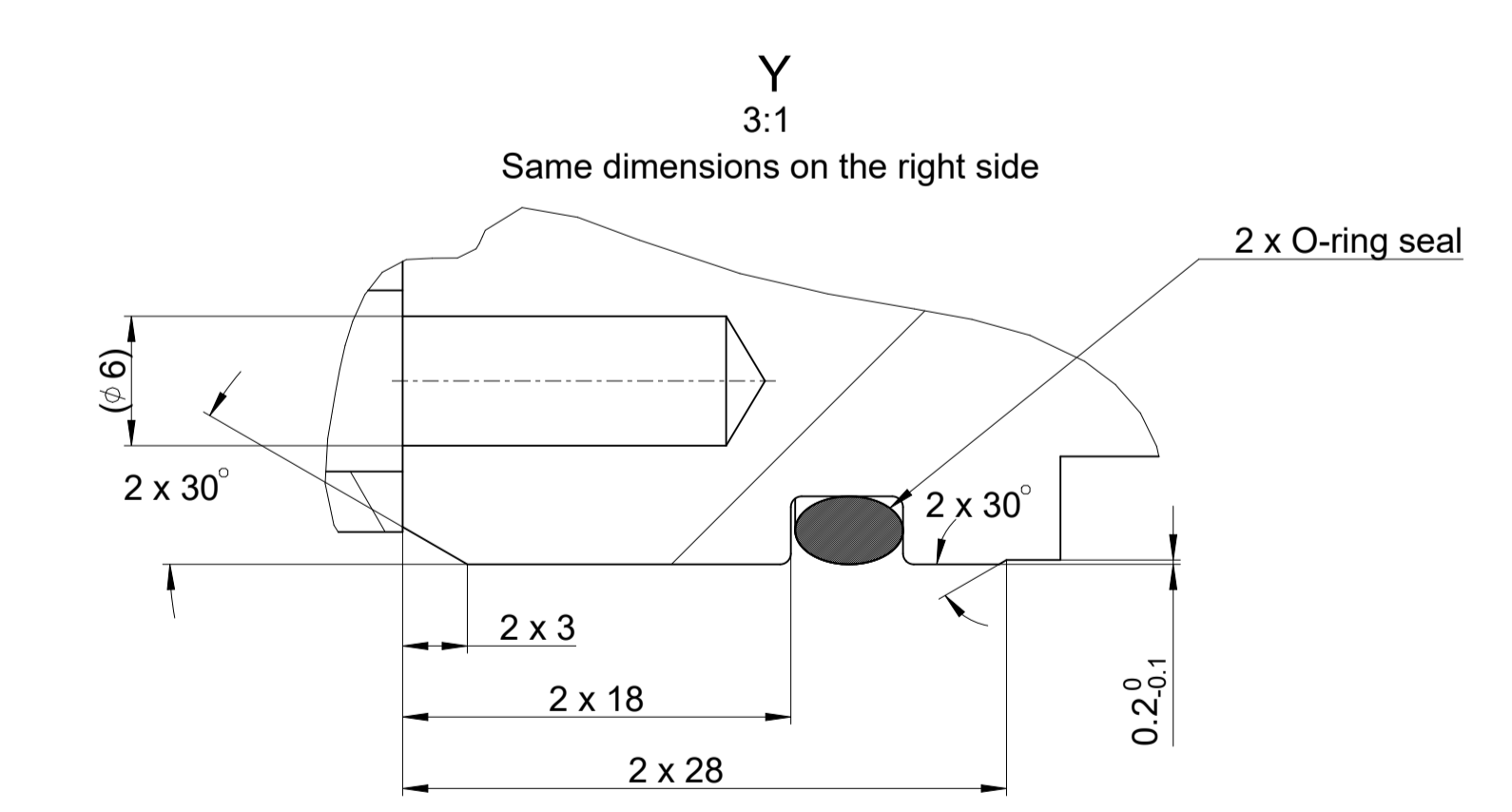
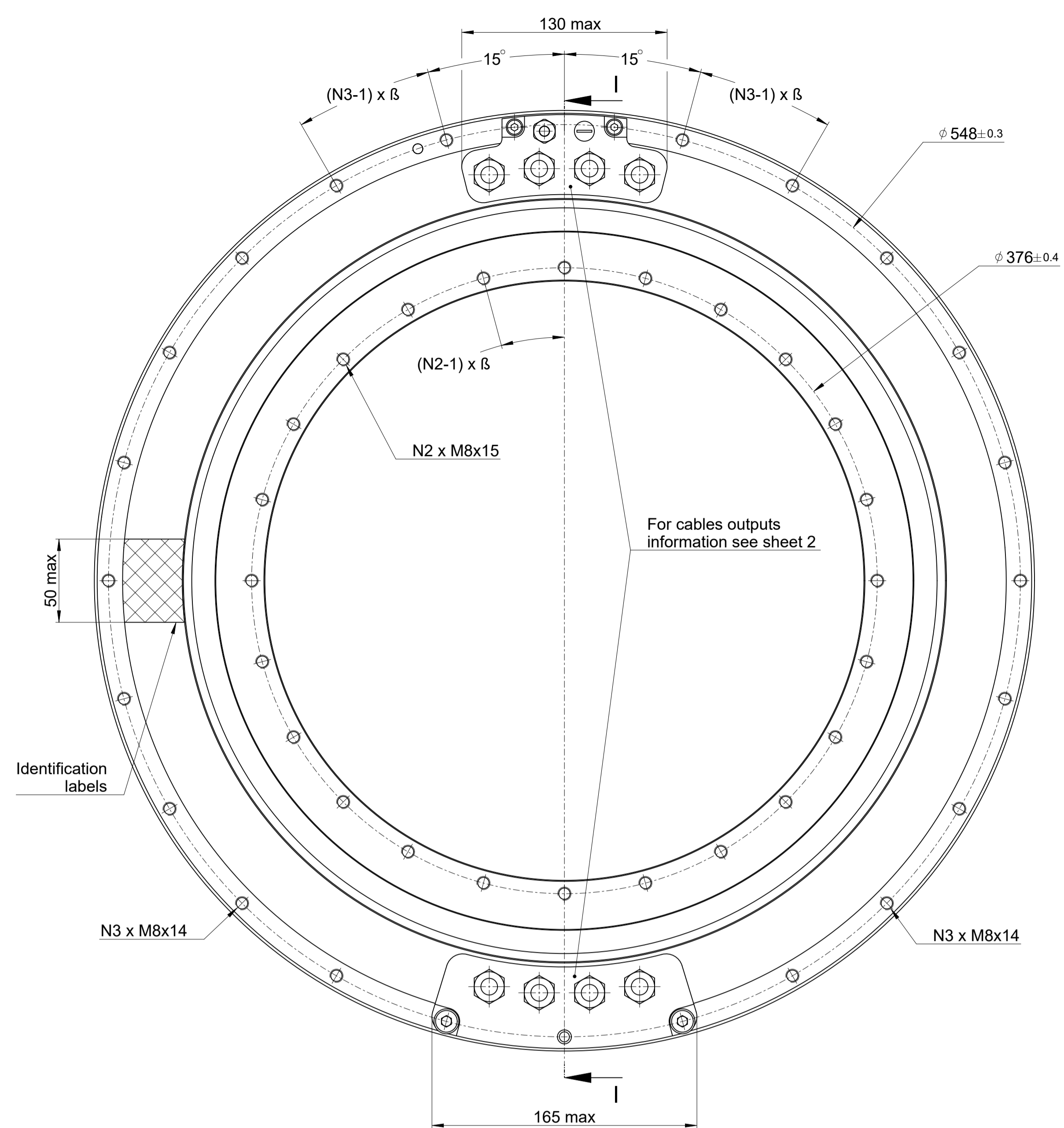
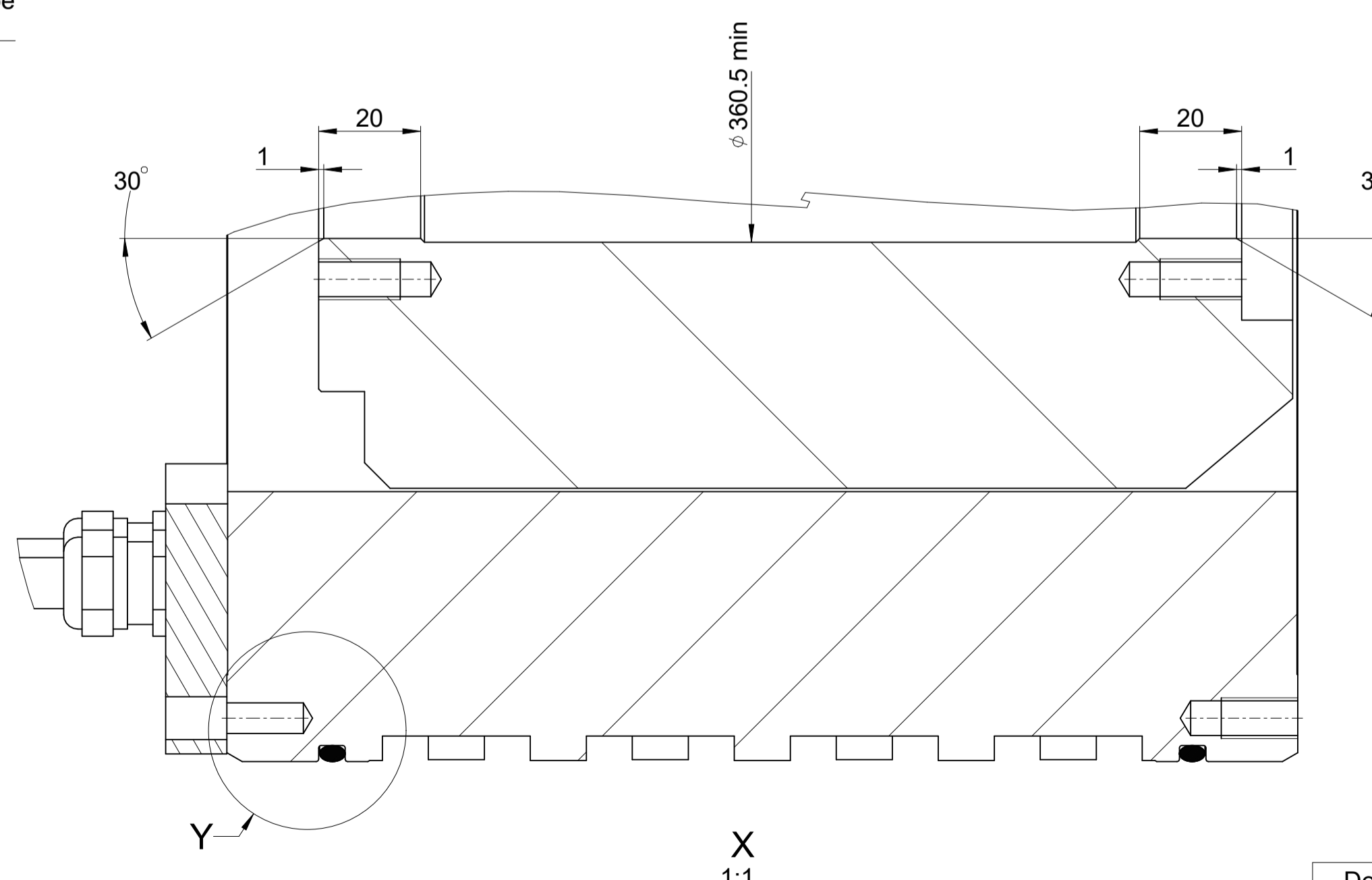
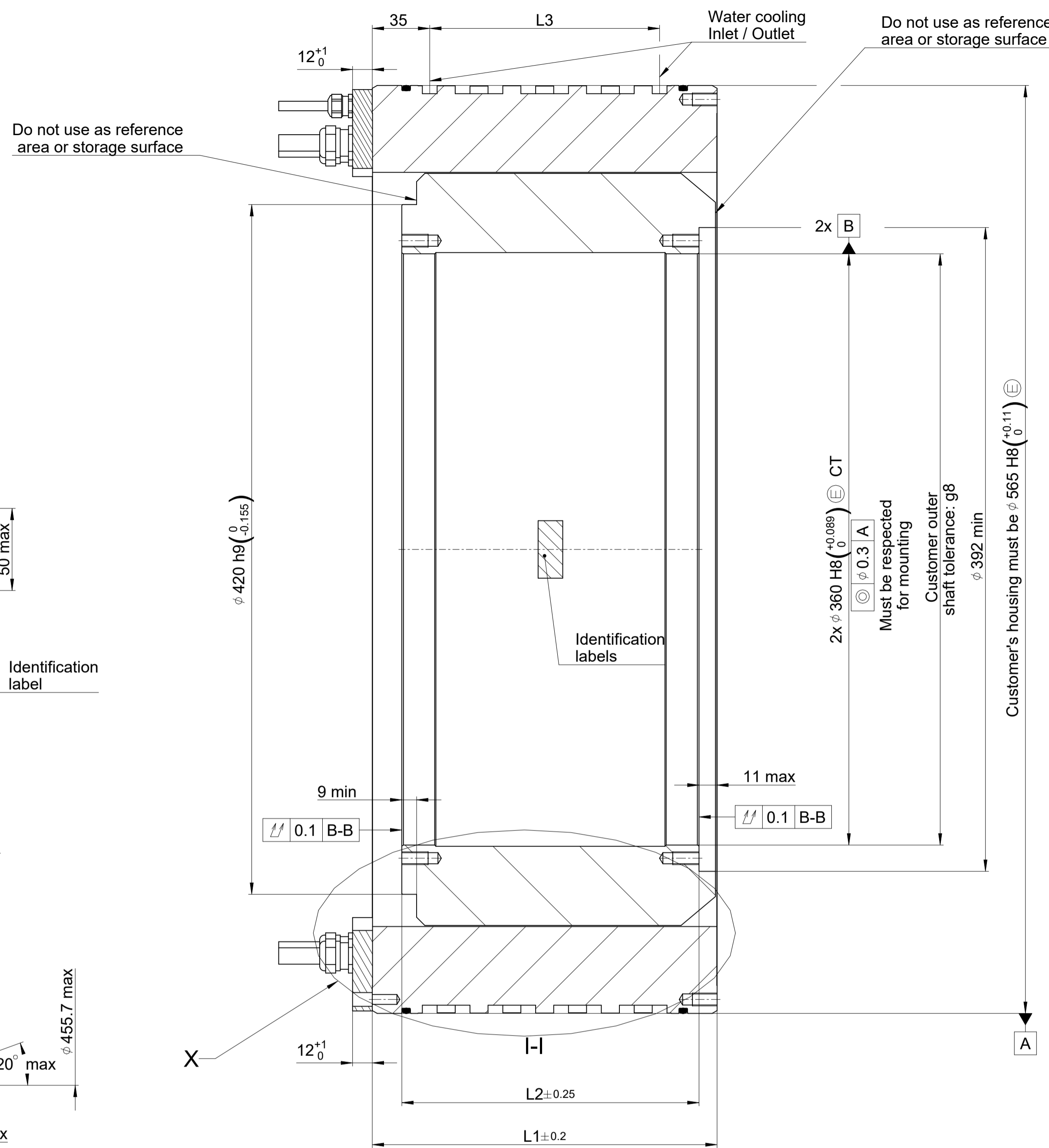
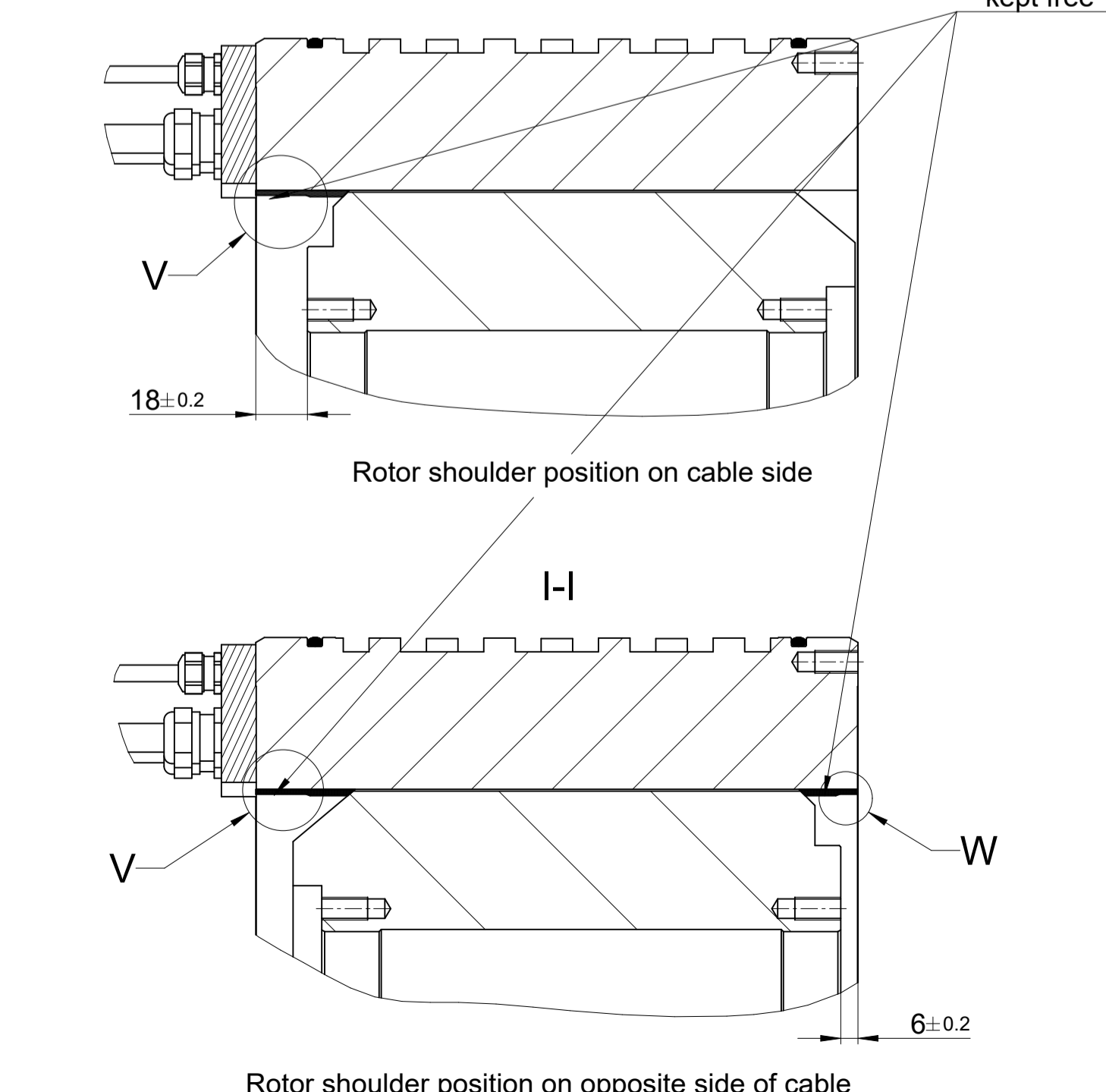
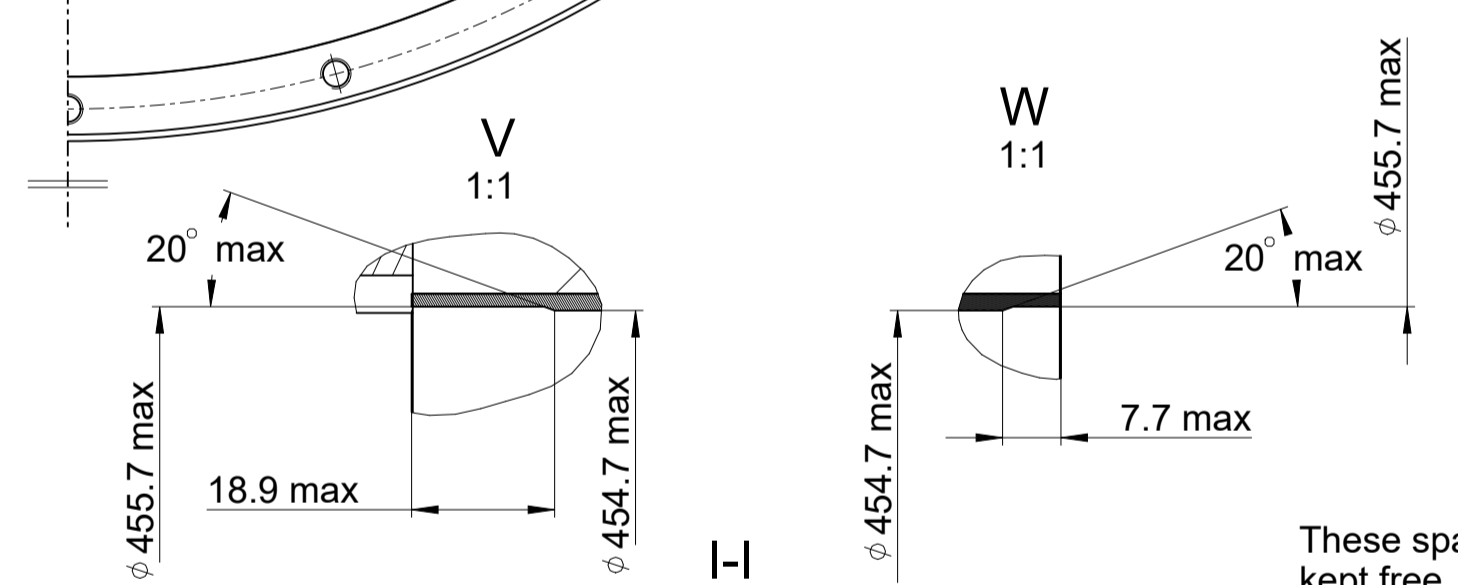
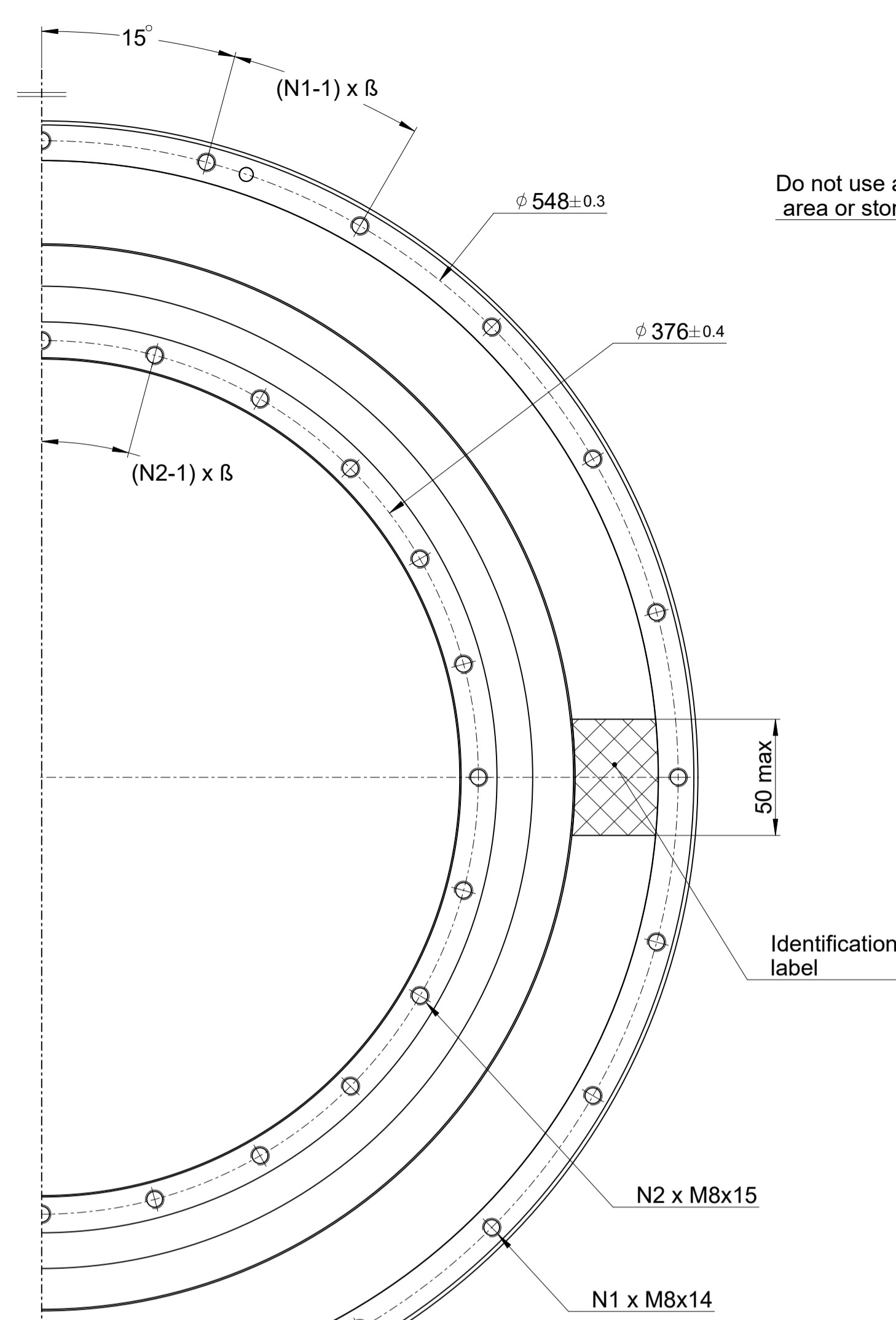
Wire section (mm²)

| Characteristics | 1 x 2.5 | 1 x 4 | 1 x 6 | 1 x 10 | 1 x 16 | Sensor cable |
|--------------------------------------|----------------------------------|-------------|----------------------------------|----------------------------------|--|--------------|
| Applicable motors | TMKi0175 TMKi0291 TMKi0360 | TMKi0360 | TMKi0175 TMKi0360 TMKi0530 | TMKi0291 TMKi0530 TMKi0761 | TMKi0360 TMKi0530 TMKi0761 TMKi0991 | All TMKi |
| Minimum bend radius for fixed cable | R = 4 X D | R = 4 X D | R = 4 X D | R = 4 X D | R = 4 X D | R = 6 X D |
| Minimum bend radius for moving cable | R = 7.5 X D | R = 7.5 X D | R = 7.5 X D | R = 7.5 X D | R = 7.5 X D | R = 12 X D |



(*): Red wire (if present) is not connected on the motor side and cutted flush on cable extremity.

| | | | | | | | |
|---|--|--|--|---|--|---|--|
| Text: | | Original drawing Scale: 1:1 Format: A2 | | TMKi sensor config. and cables prop. (interface) | | ID number | |
| RoHS | | 1:1 A2 | | TMKi config. capteur et prop. câbles (interface) | | Change No. C138033-30 Released: 08.01.2024 | |
| Workpiece edges ISO 13715 Arêtes de formes selon ISO 13715 | | General tolerances ISO 2768:1989-mK Tolérances générales ISO 2768:1989-mK | | Surfaces as per ISO 1302:2002 Etats de surface selon ISO 1302:2002 | | Material: Matière: | |
| Dimensions in mm / Cotes en mm | | Mating Dimensions / Cotes d'encombrement | | Tolerances as per ISO 8015 : 2011 Tolérances selon ISO 8015 : 2011 | | Surface treatment: Traitement de surface: | |
| The reproduction, distribution and utilization of this document as well as the communication of its contents to others without express authorization is prohibited. Offenders will be held liable for the payment of damages. All rights reserved in the event of the grant of a patent, utility model or design. (ISO 16016) | | | | | | | |
| ETEL | | ETEL S.A. 2112 Môtiers SWITZERLAND | | Version/Revision/Sheet | | Page | |
| 1376587-00-B-01 | | | | | | 1 of 1 | |
| Document number | | | | | | | |

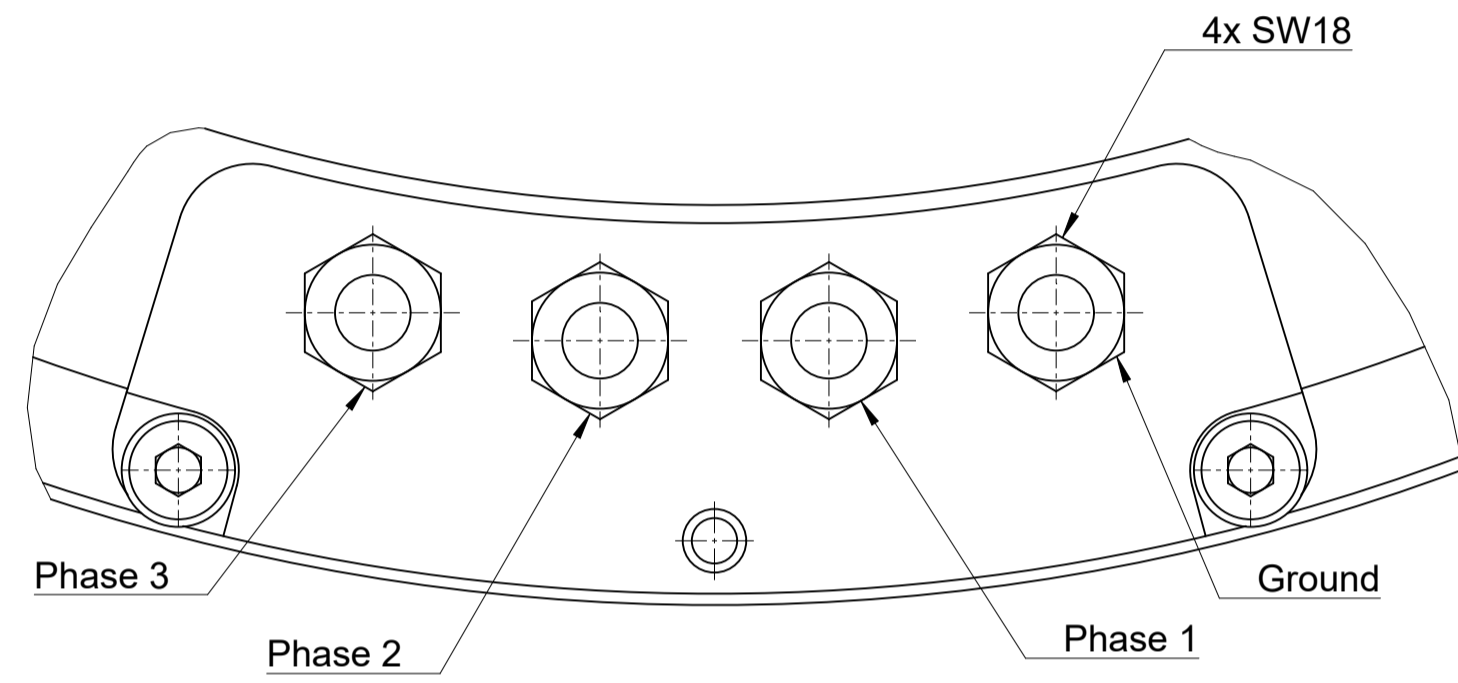
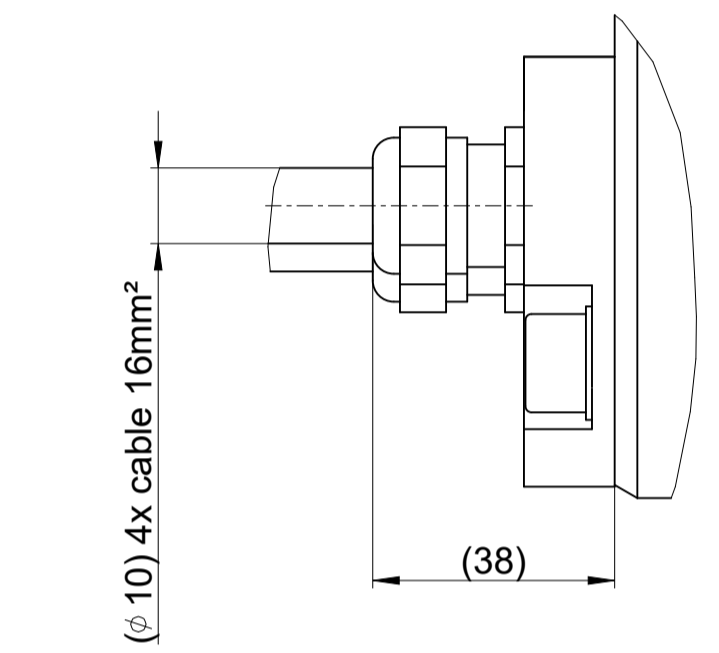
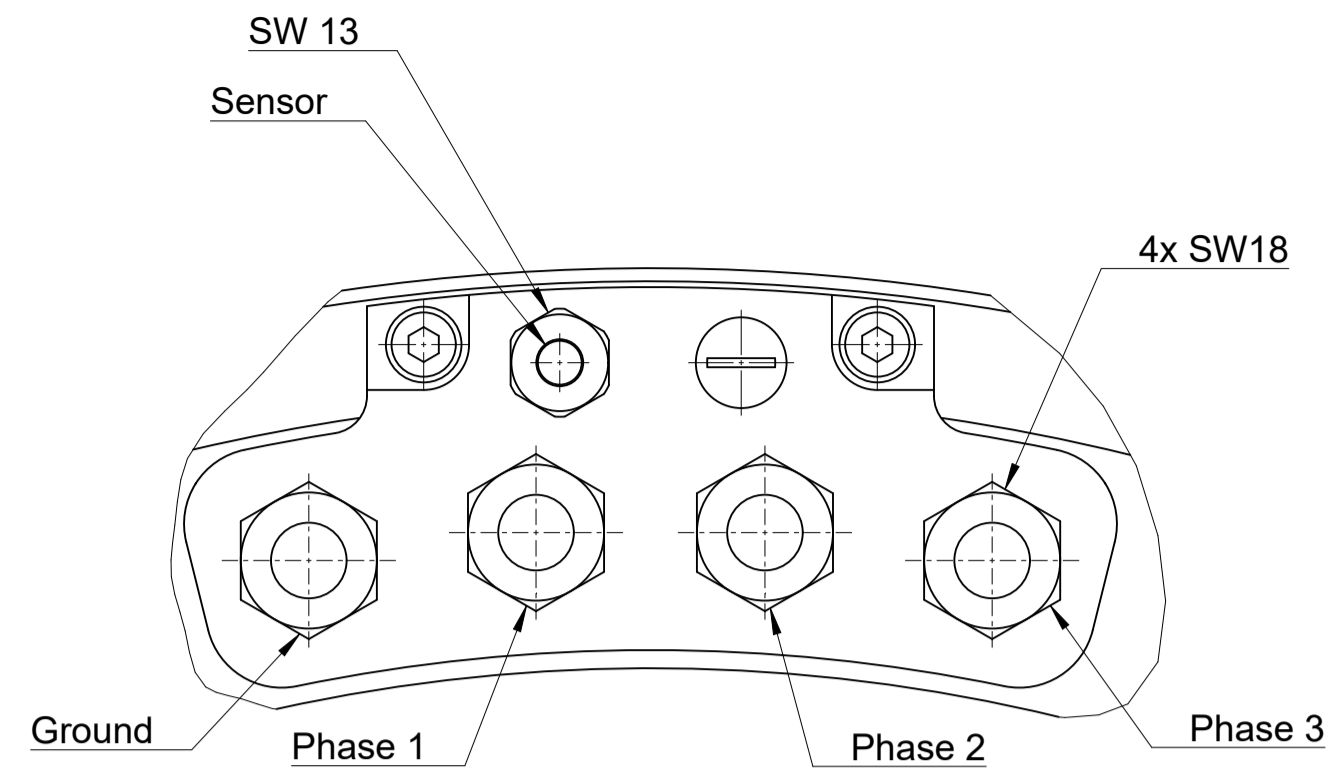
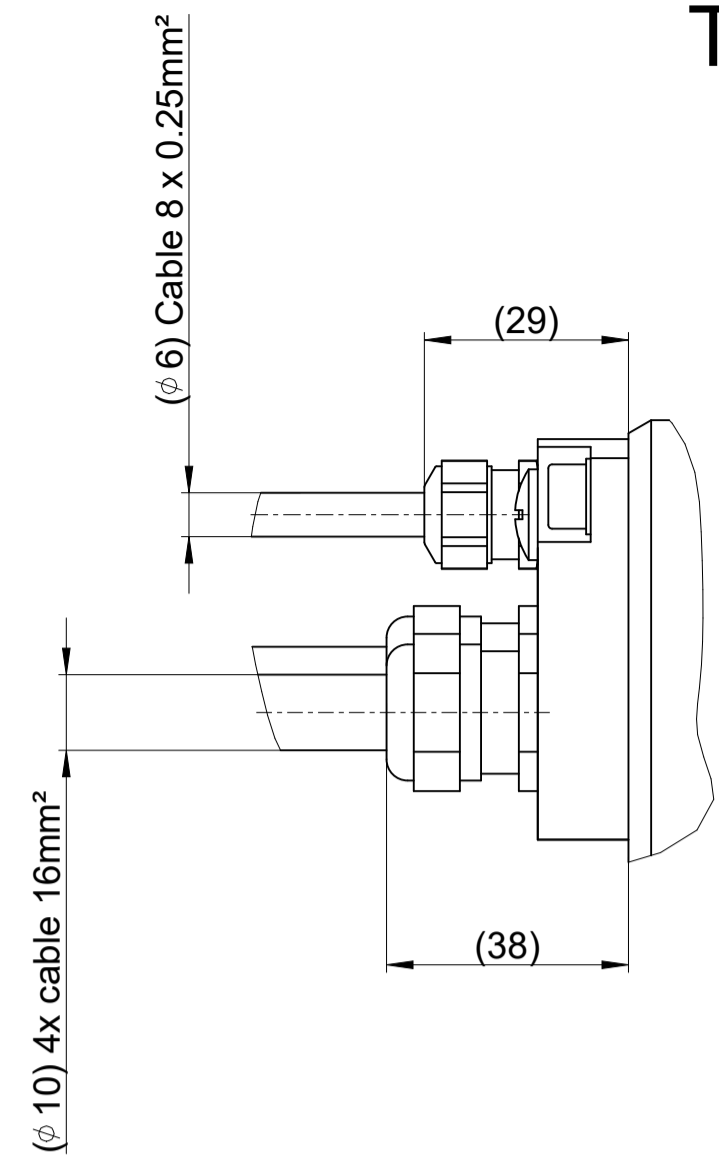


! Use M8 screws with 12.9 quality to assemble rotor and stator

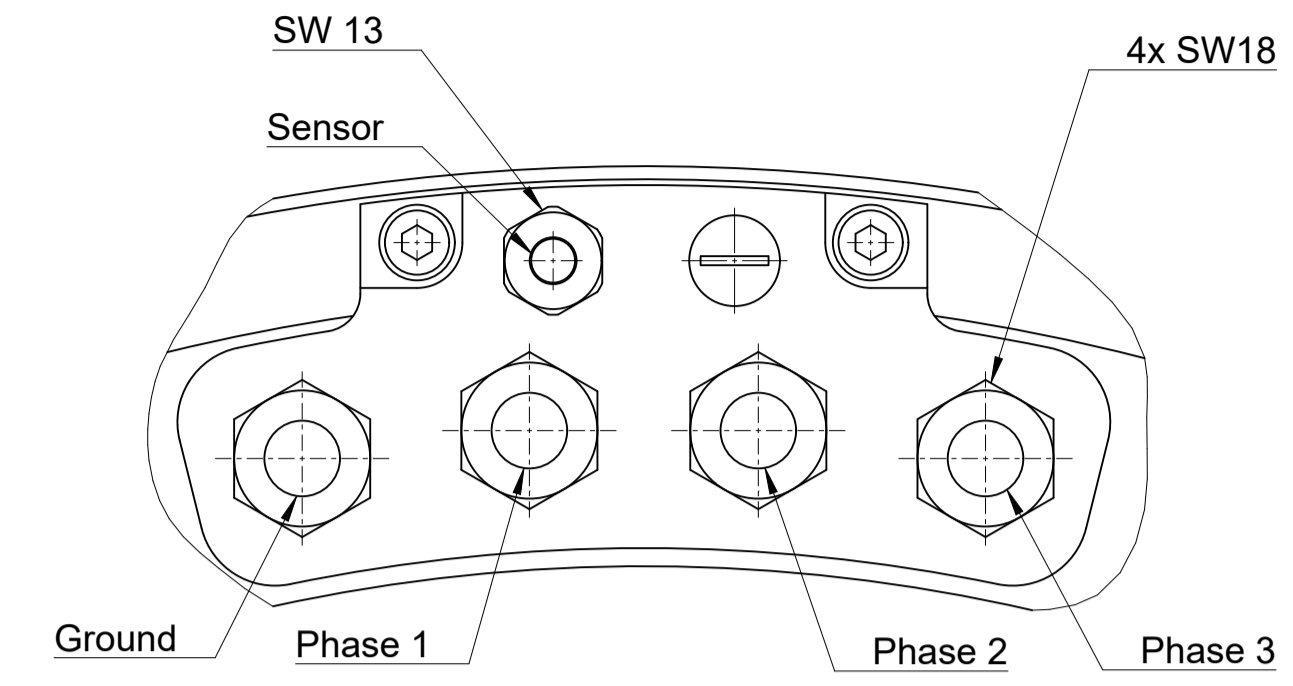
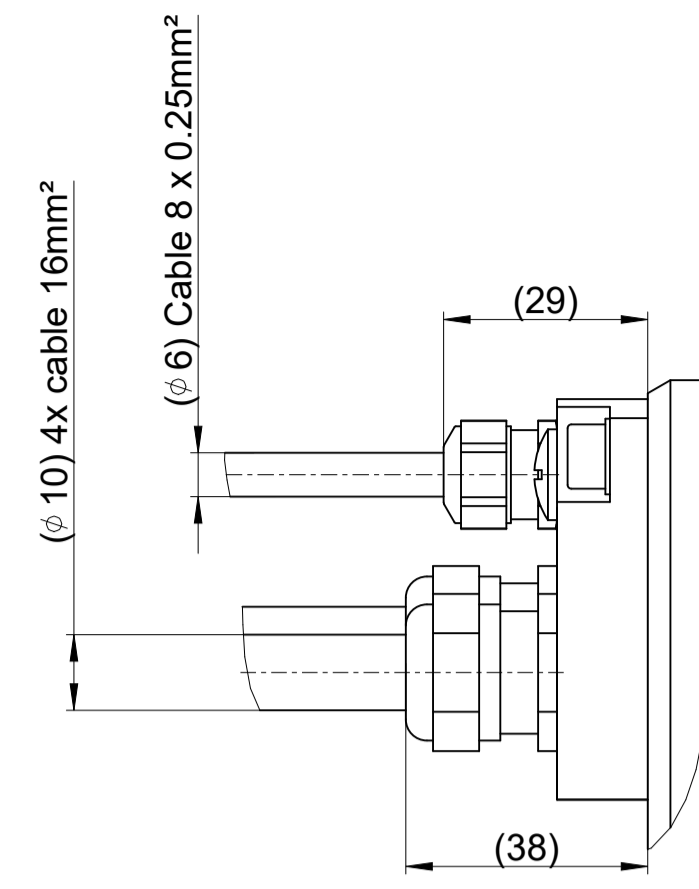
| Designation | L1 | L2 | L3 | N1 | N2 | N3 | β |
|--------------|-----|-----|-----|----|----|----|------------|
| TMKi0530-070 | 130 | 101 | 60 | 12 | 12 | 6 | 30° |
| TMKi0530-100 | 160 | 131 | 90 | 24 | 24 | 11 | 15° |
| TMKi0530-150 | 210 | 181 | 140 | 24 | 24 | 11 | 15° |

| | | | |
|---|--|-----------------------------------|---------------------------------|
| Text: | | ID number: | C171500-25 |
| Original drawing Scale: 1:2 Format: A1 | | Change No.: | 24.04.2024 |
| Released: | | Released: | 24.04.2024 |
| Dimensions in mm | | Tolerances as per ISO 8015: 2011 | Tolerances selon ISO 8015: 2011 |
| Mating Dimensions / Coles d'encrochement | | Dimensions without tolerance | ISO 2768-mK |
| The reproduction, distribution and utilization of this document as well as the communication of its contents to others without express authorization is prohibited. Offenders will be held liable for the payment of damages. All rights reserved in the event of the grant of a patent, utility model or design. (ISO 18015) | | Version / Revision / Sheet / Page | 1 of 2 |
| ETEL ETEL S.A. 2112 Möllers SWITZERLAND | | Document number | 1375391-03-B-01 |

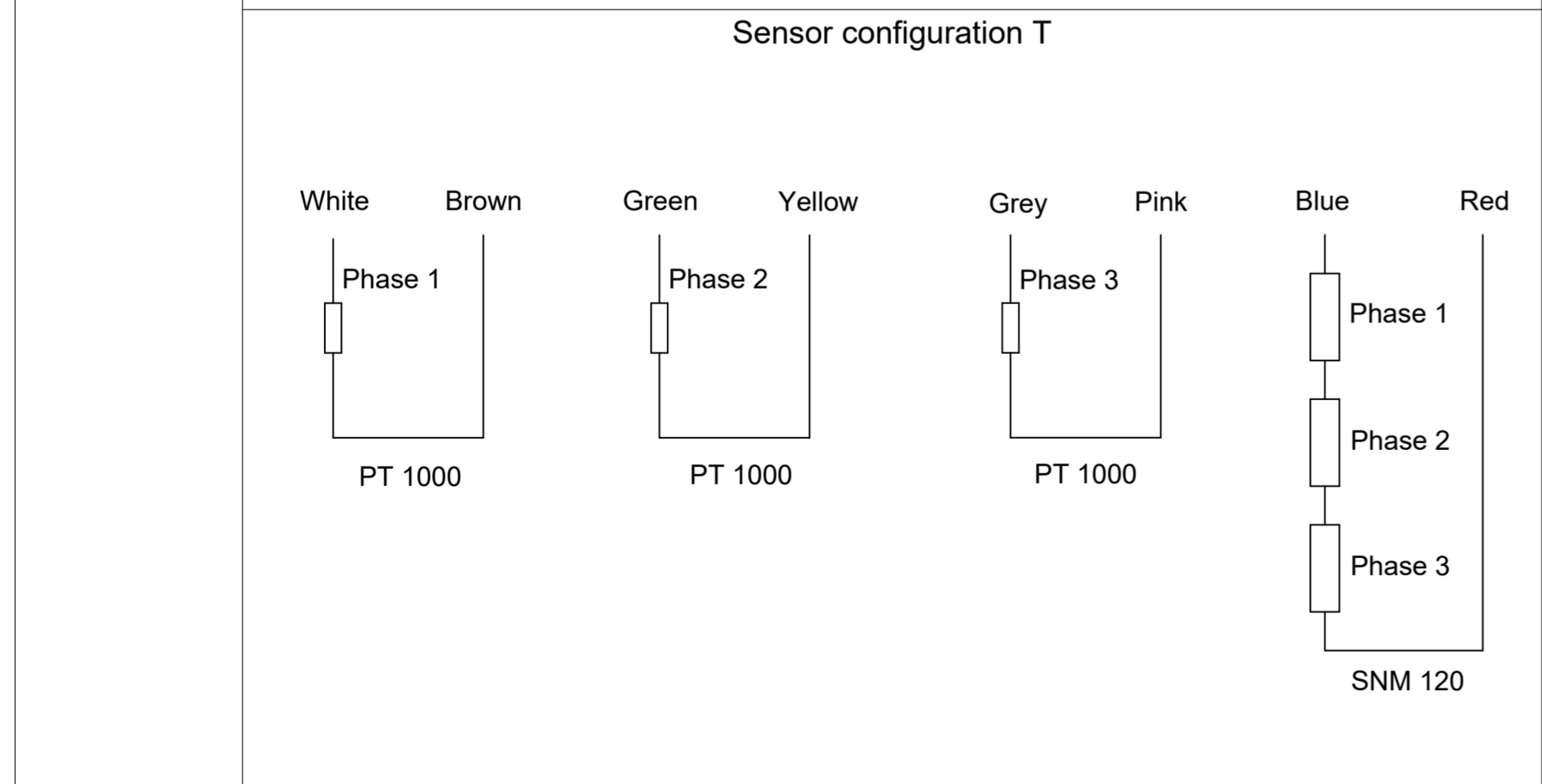
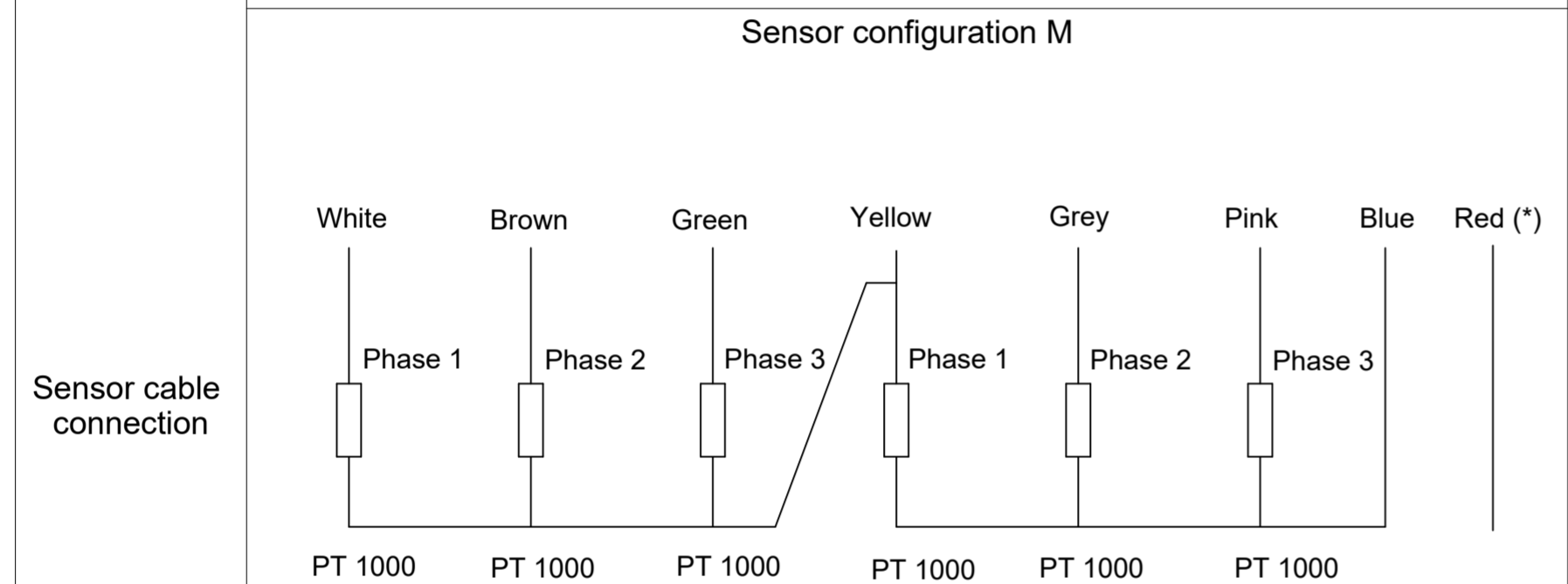
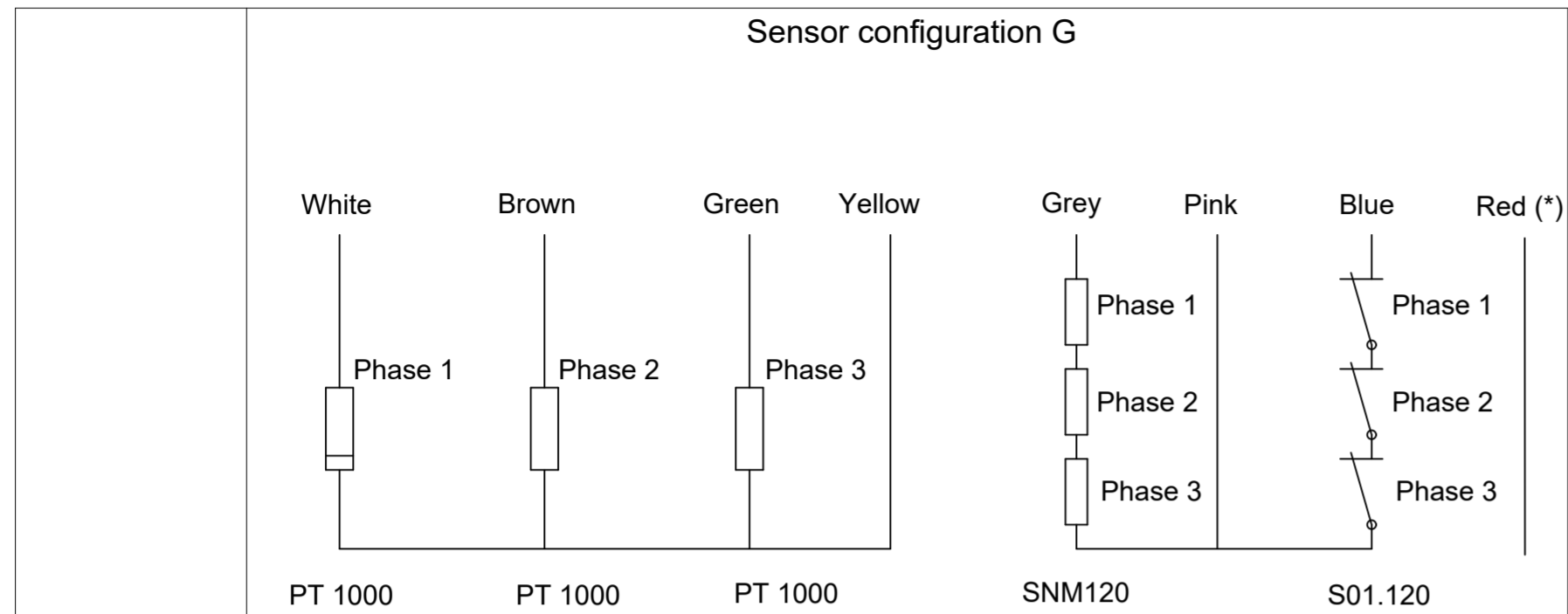
TMKi0530-###-XH#U#



TMKi0530-###-UH#U#
TMKi0530-###-XD#U#



| | | |
|---|--------|---|
| Text: | | ID number: |
| Change No. C171500-25 | | Released: 24.04.2024 |
| Original drawing | | TMKi0530-###-#####-O#-AA5 |
| Scale | Format | TMKi0530-###-#####-O#-AA5 |
| Dimensions in mm | 1:1 A1 | Mating Dimensions / Coles d'encroisement |
| The reproduction, distribution and utilization of this document as well as the communication of its contents to others without express authorization is prohibited. Offenders will be held liable for the payment of damages. All rights reserved in the event of the grant of a patent, utility model or design. (ISO 15015) | | Tolerances as per ISO 8015 : 2011 Tolérances selon ISO 8015 : 2011 Dimensions without tolerance ISO Dimensions sans tolérances 2768-mk |
| ETEL ETEL S.A. 2112 Möllers SWITZERLAND | | Version Revision Sheet Page 1375391-03-B-01 2 of 2 Document number |

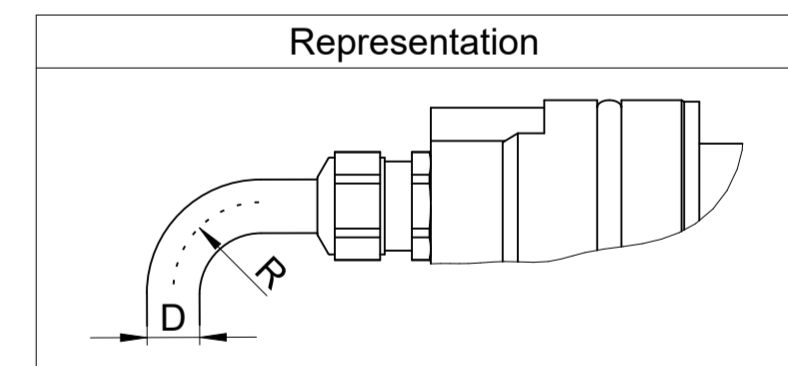


Power cable connection

| Color and wire number | Function | Drawing |
|-------------------------------|---------------|---------|
| Black wire with number 1 or U | Phase 1 (PH1) | |
| Black wire with number 2 or V | Phase 2 (PH2) | |
| Black wire with number 3 or W | Phase 3 (PH3) | |
| Yellow and green wire | Ground (GND) | |

Wire section (mm²)

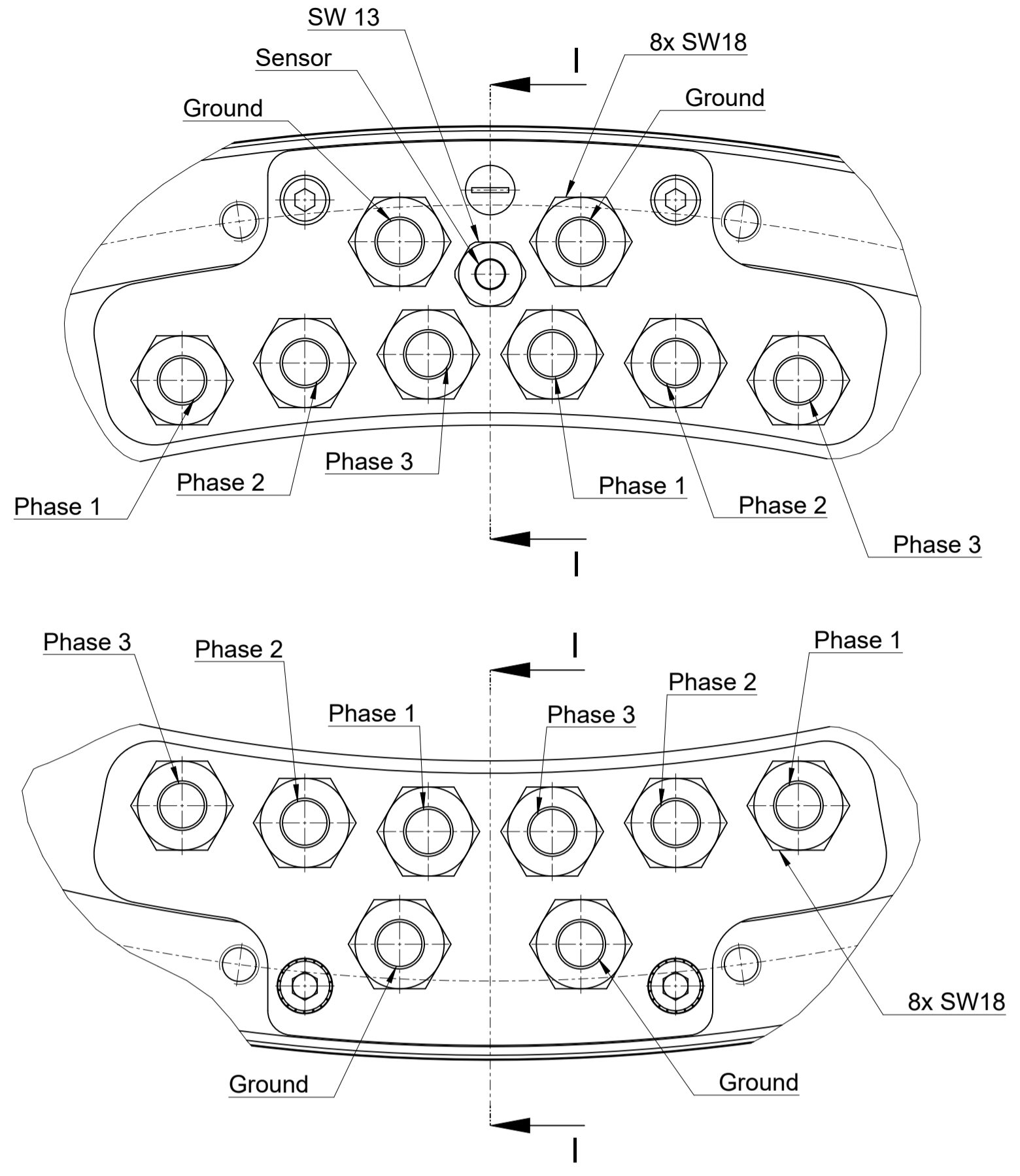
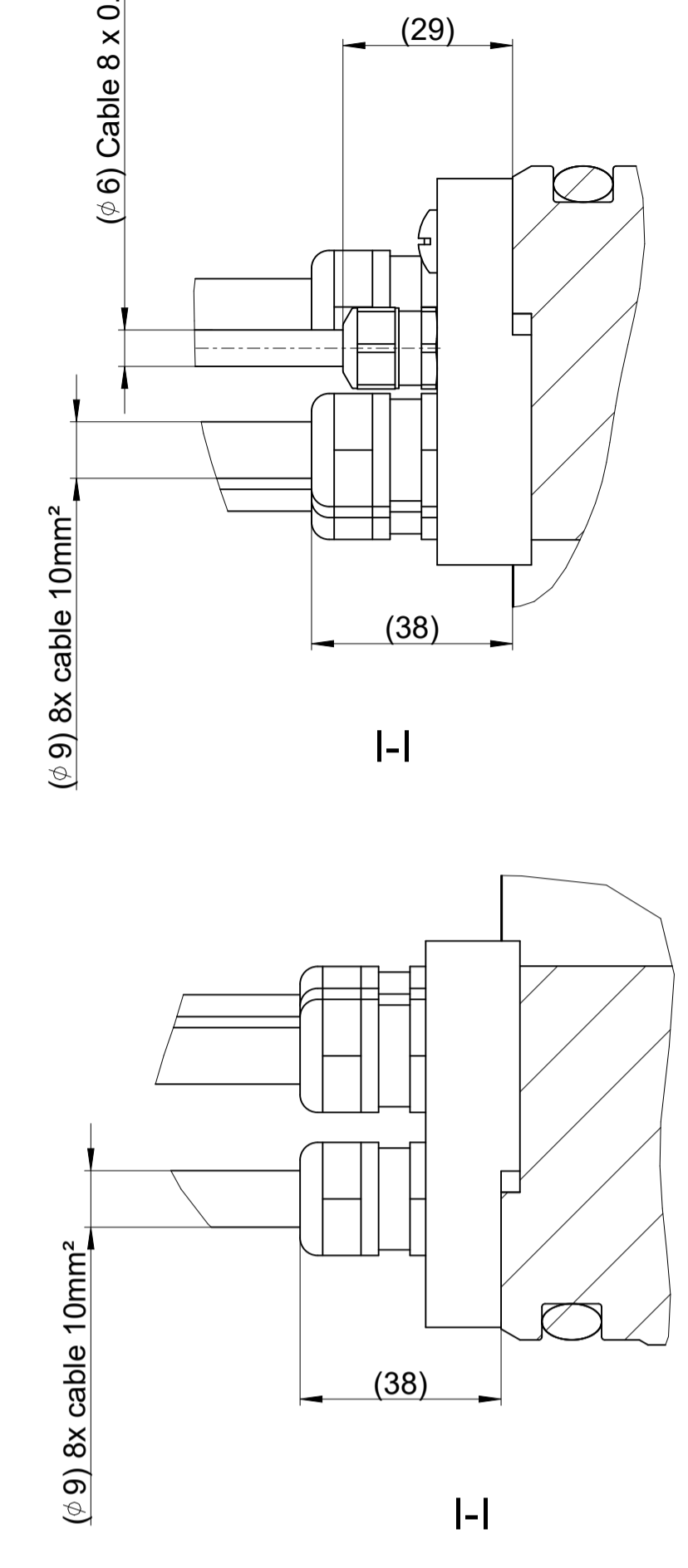
| Characteristics | 1 x 2.5 | 1 x 4 | 1 x 6 | 1 x 10 | 1 x 16 | Sensor cable |
|--------------------------------------|----------------------------------|-------------|----------------------------------|----------------------------------|--|--------------|
| Applicable motors | TMKi0175 TMKi0291 TMKi0360 | TMKi0360 | TMKi0175 TMKi0360 TMKi0530 | TMKi0291 TMKi0530 TMKi0761 | TMKi0360 TMKi0530 TMKi0761 TMKi0991 | All TMKi |
| Minimum bend radius for fixed cable | R = 4 X D | R = 4 X D | R = 4 X D | R = 4 X D | R = 4 X D | R = 6 X D |
| Minimum bend radius for moving cable | R = 7.5 X D | R = 7.5 X D | R = 7.5 X D | R = 7.5 X D | R = 7.5 X D | R = 12 X D |



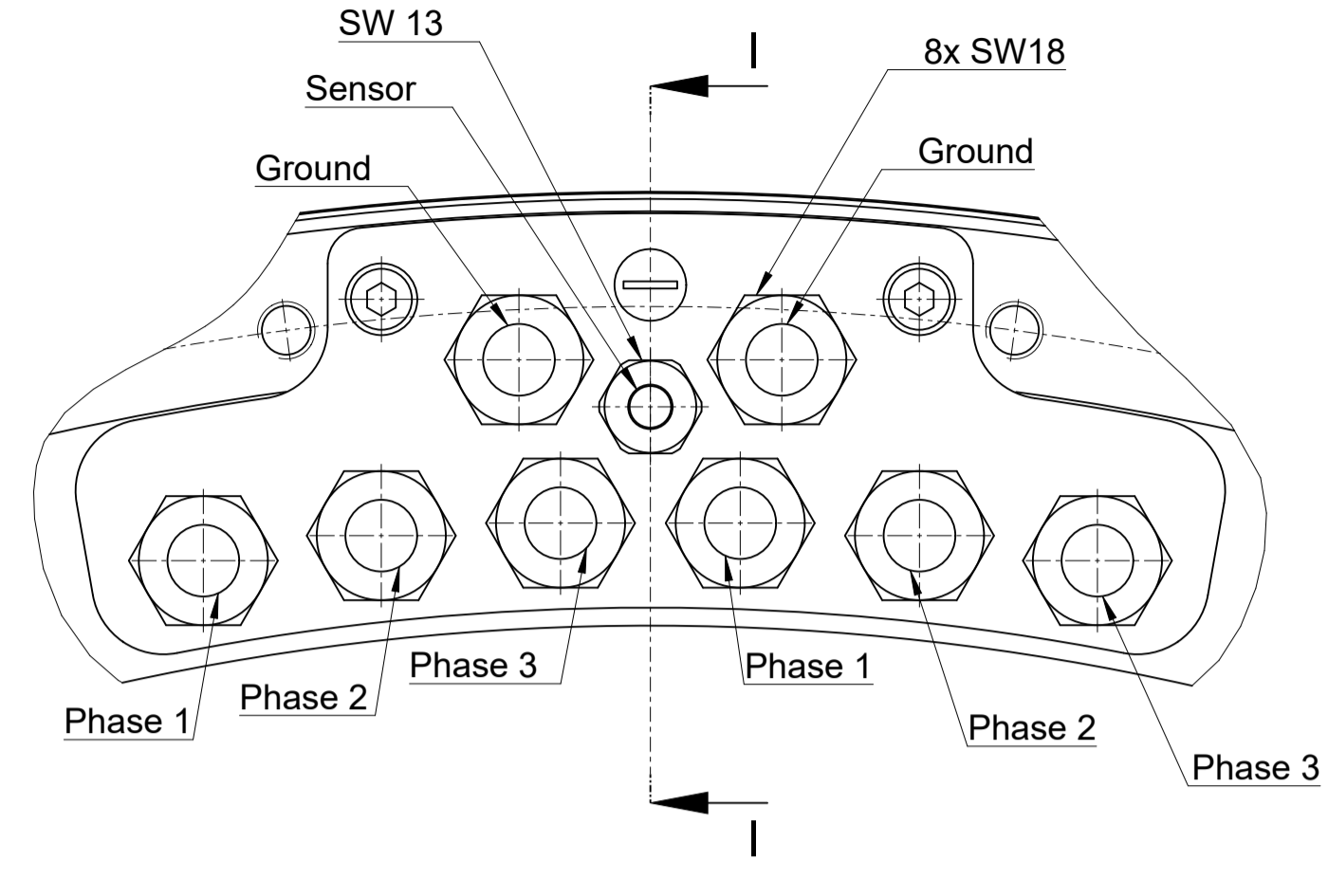
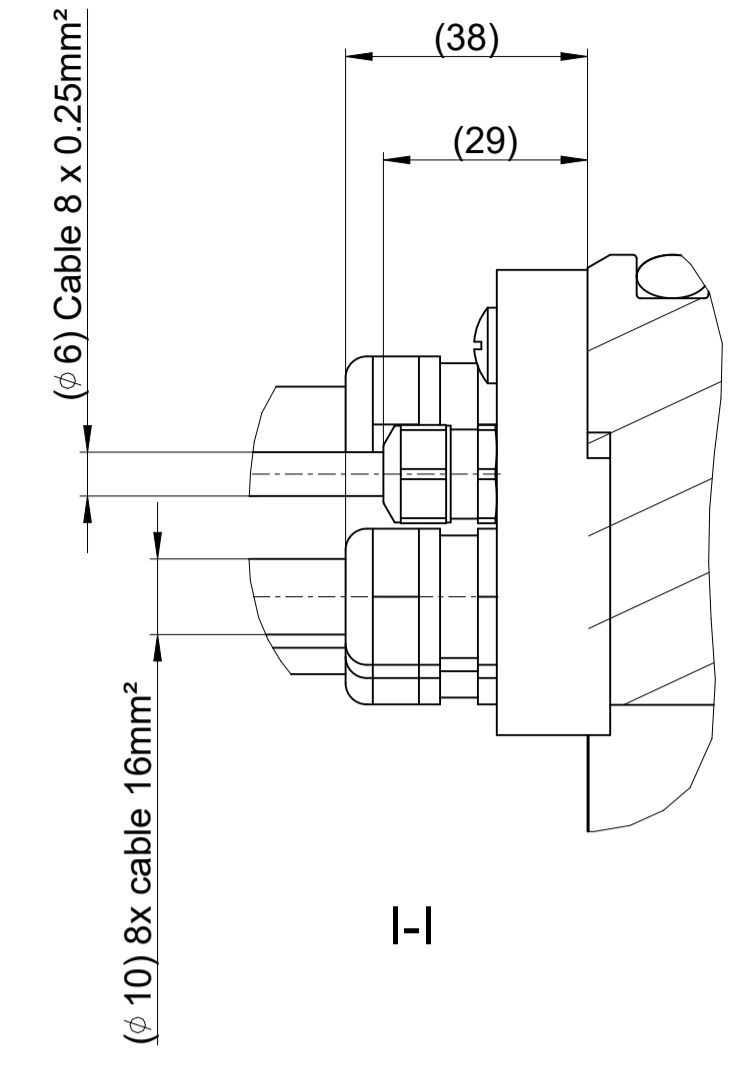
(*): Red wire (if present) is not connected on the motor side and cutted flush on cable extremity.

| | | | | | | | |
|---|--|--|--|---|--|--|--|
| Text: | | Original drawing Scale: 1:1 Format: A2 | | TMKi sensor config. and cables prop. (interface) | | ID number | |
| RoHS | | 1:1 A2 | | TMKi config. capteur et prop. câbles (interface) | | Change No. C138033-30 Released: 08.01.2024 | |
| Workpiece edges ISO 13715 Arêtes de formes selon ISO 13715 | | General tolerances ISO 2768:1989-mK Tolérances générales ISO 2768:1989-mK | | Surfaces as per ISO 1302:2002 Etats de surface selon ISO 1302:2002 | | Material: Matière: | |
| Tolerances as per ISO 8015 : 2011 Tolérances selon ISO 8015 : 2011 | | Surface treatment: Traitement de surface: | | ETEL | | Version/Revision/Sheet/ Page 1376587-00 - B-01 / 1 of 1 | |
| ETEL | | ETEL S.A. 2112 Môtiers SWITZERLAND | | Document number | | | |

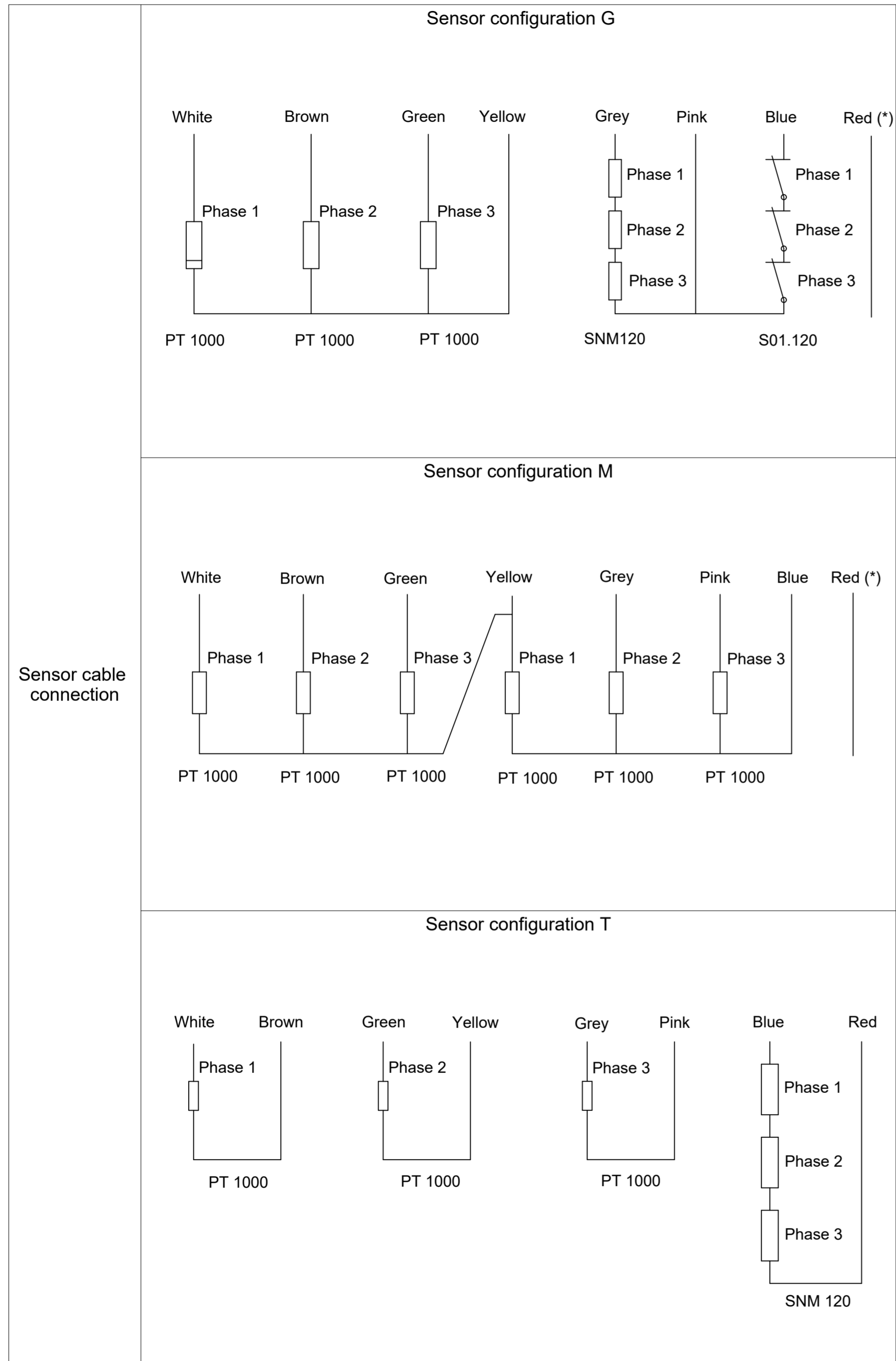
TMKi0761-###-XL#U#



TMKi0761-###-UL#U#



| | | |
|--|------------------|--|
| Text: | | ID number: |
| Change No. C171500-30 | | Released: 24.04.2024 |
| TMKi0761-###-#####-O#-AA5 TMKi0761-###-#####-O#-AA5 Mating Dimensions / Coles d'encrochement | | Tolerances as per ISO 8015 : 2011 Tolérances selon ISO 8015 : 2011 Dimensions without tolerance ISO Dimensions sans tolérances 2768-mK |
| Original drawing Scale 1:1 Format A1 | Dimensions in mm | The reproduction, distribution and utilization of this document as well as the communication of its contents to others without express authorization is prohibited. Offenders will be held liable for the payment of damages. All rights reserved in the event of the grant of a patent, utility model or design. (ISO 18015) |
| ETEL ETEL S.A. 2112 Möllers SWITZERLAND | | Version Revision Sheet Page 1379223-03-B-01 2 of 2 Document number |

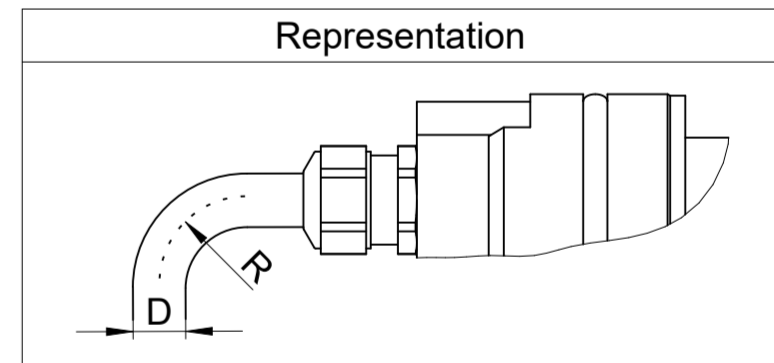


Power cable connection

| Color and wire number | Function | Drawing |
|-------------------------------|---------------|---------|
| Black wire with number 1 or U | Phase 1 (PH1) | |
| Black wire with number 2 or V | Phase 2 (PH2) | |
| Black wire with number 3 or W | Phase 3 (PH3) | |
| Yellow and green wire | Ground (GND) | |

Wire section (mm²)

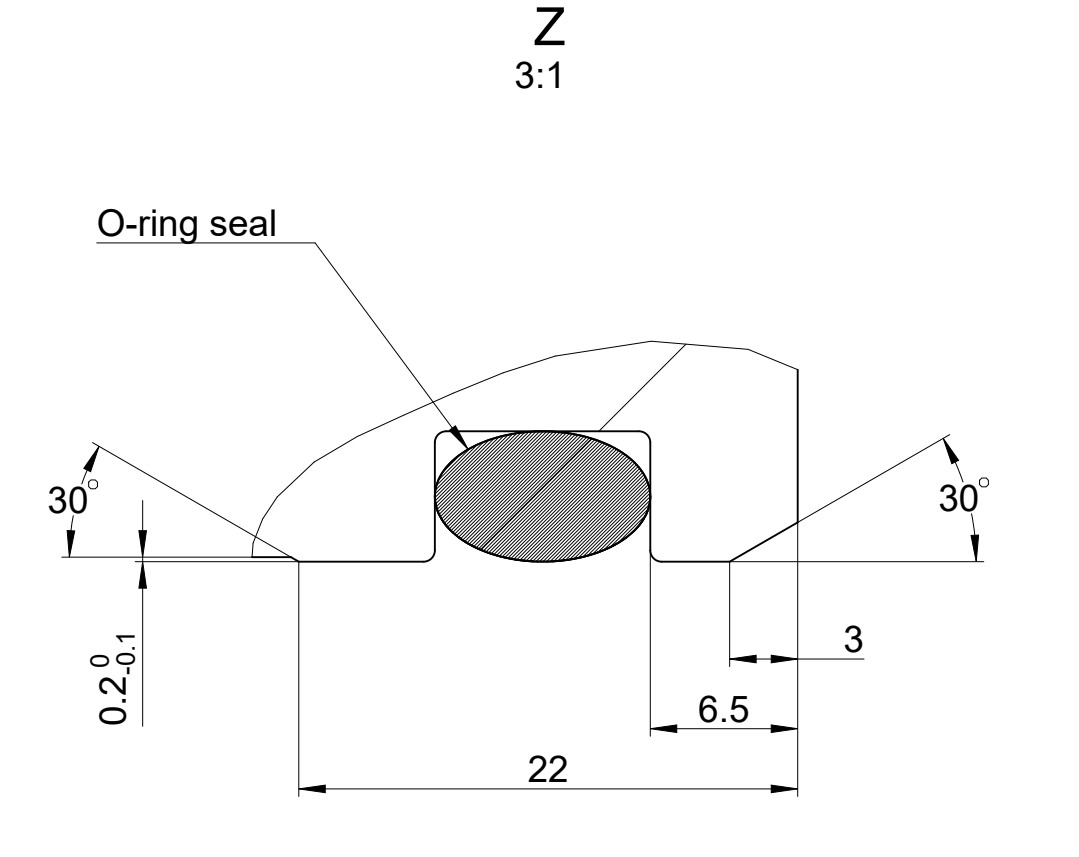
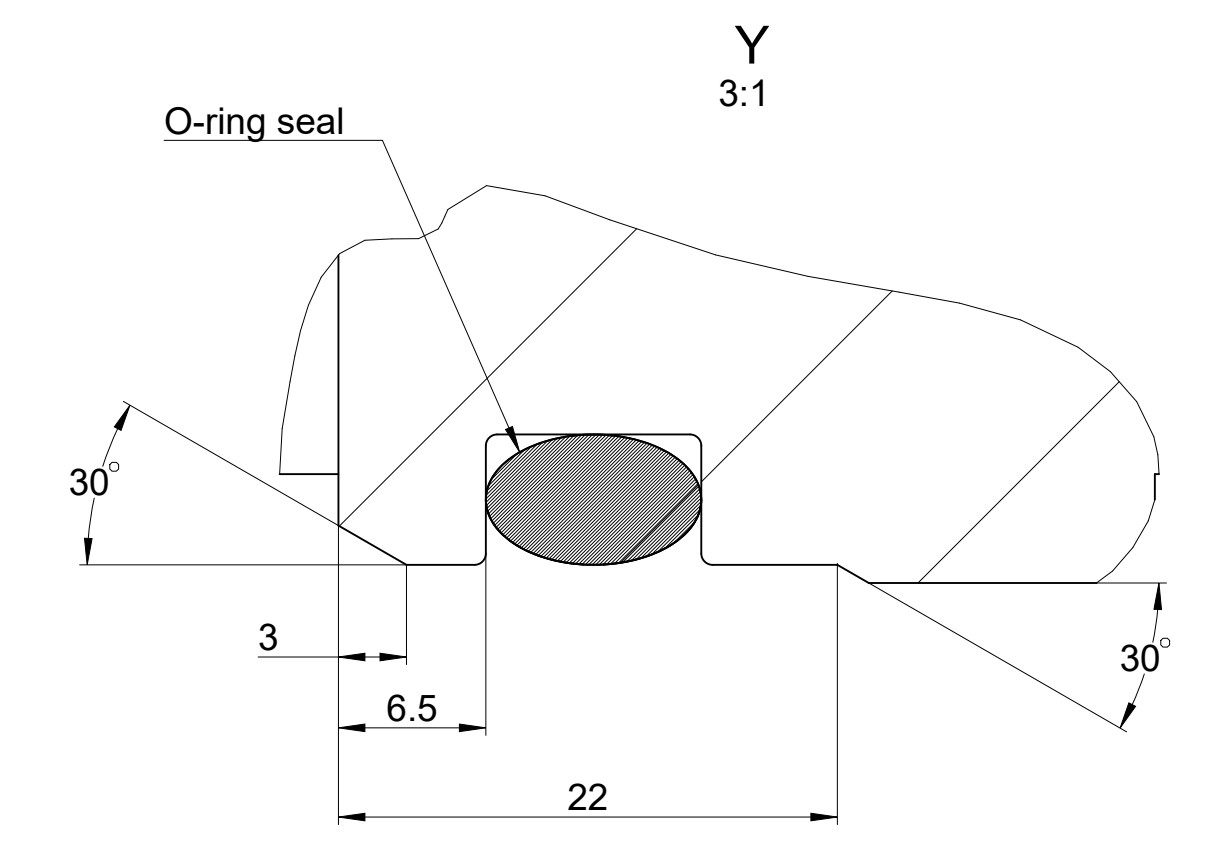
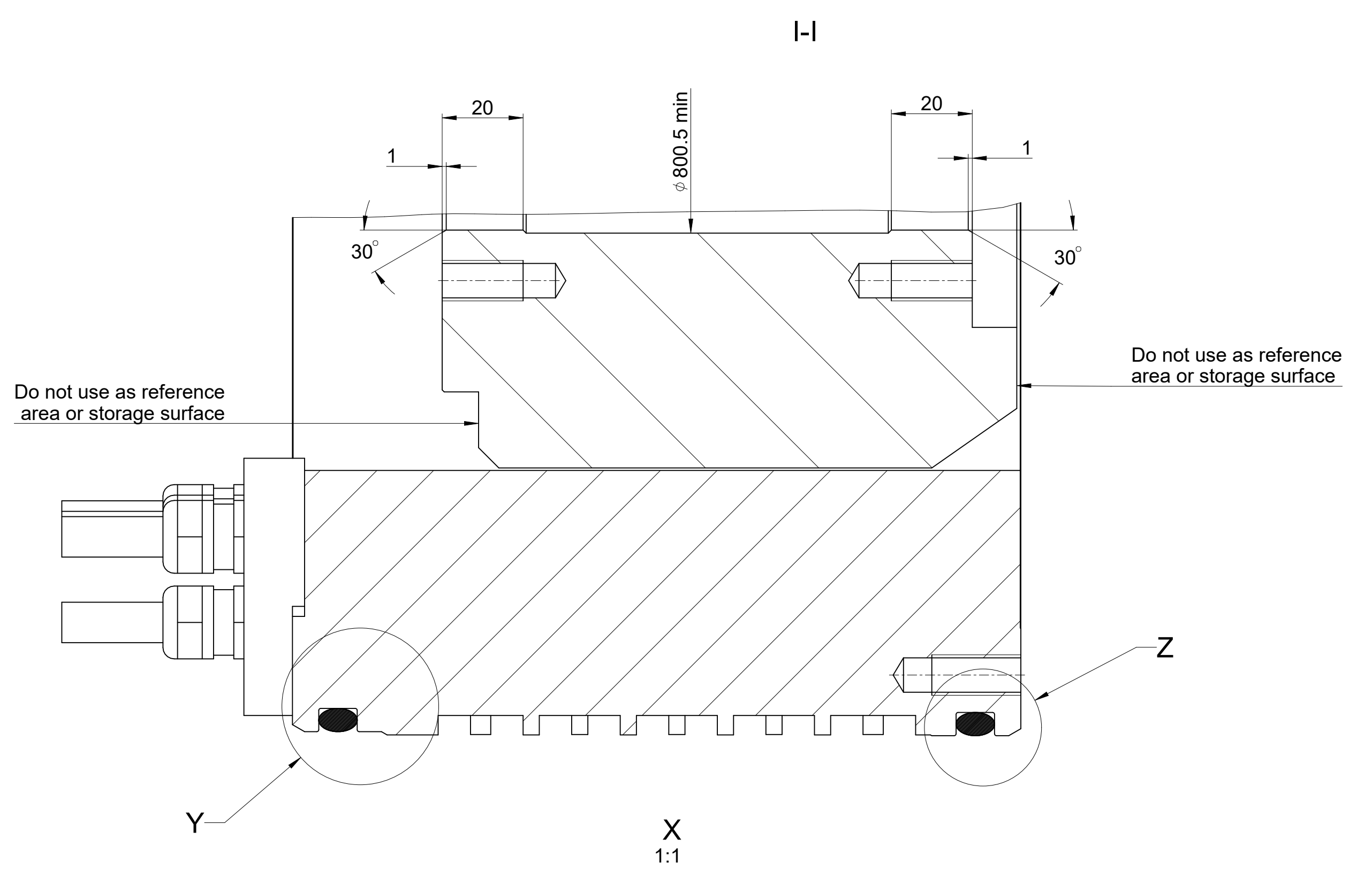
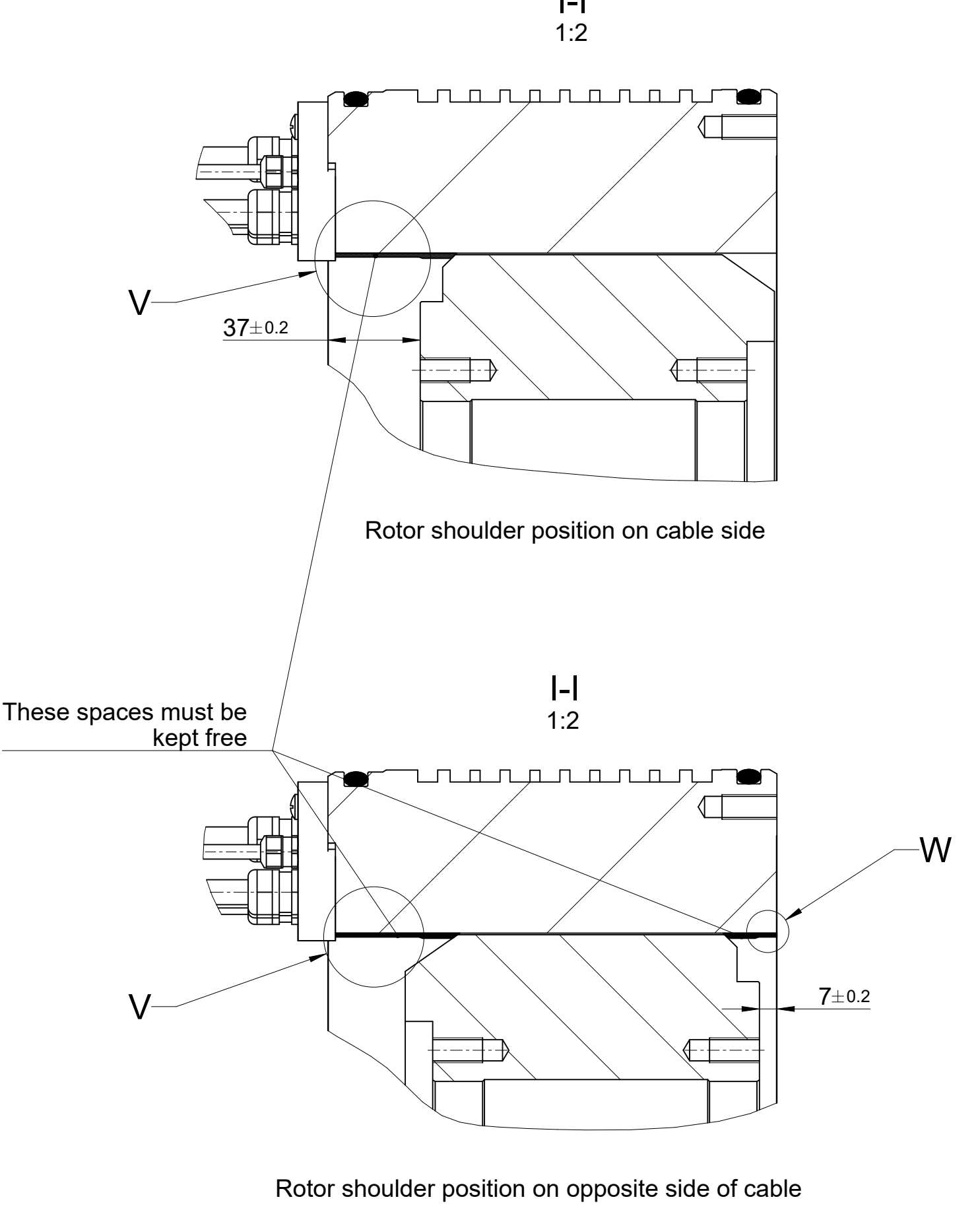
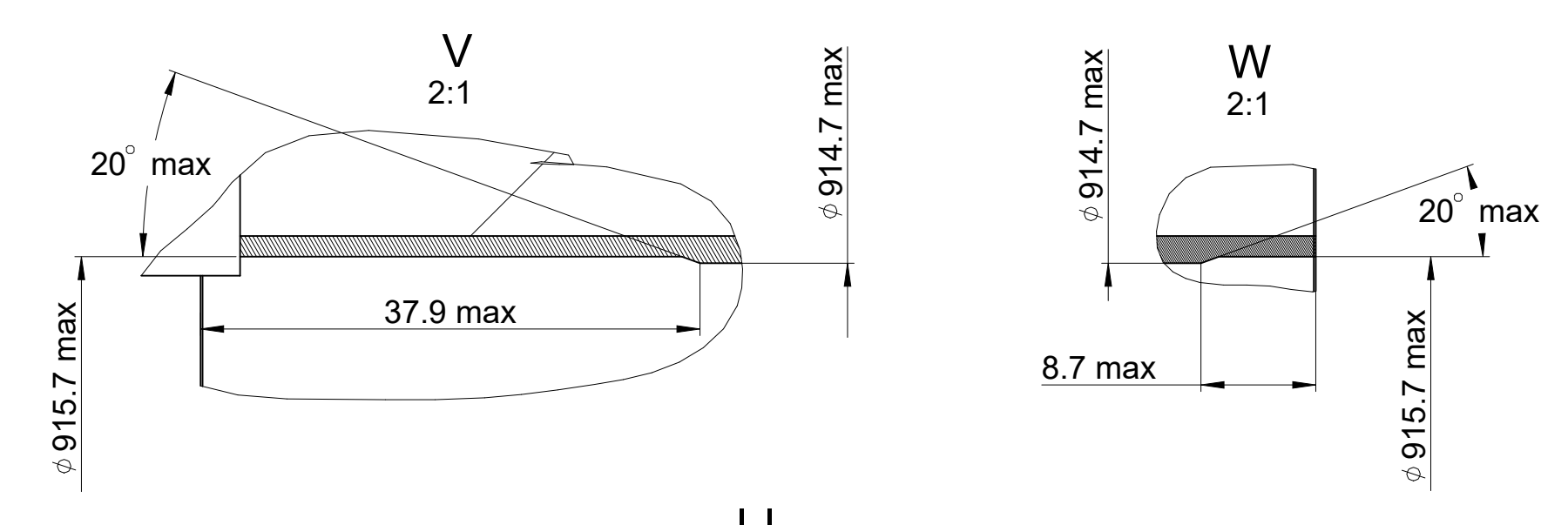
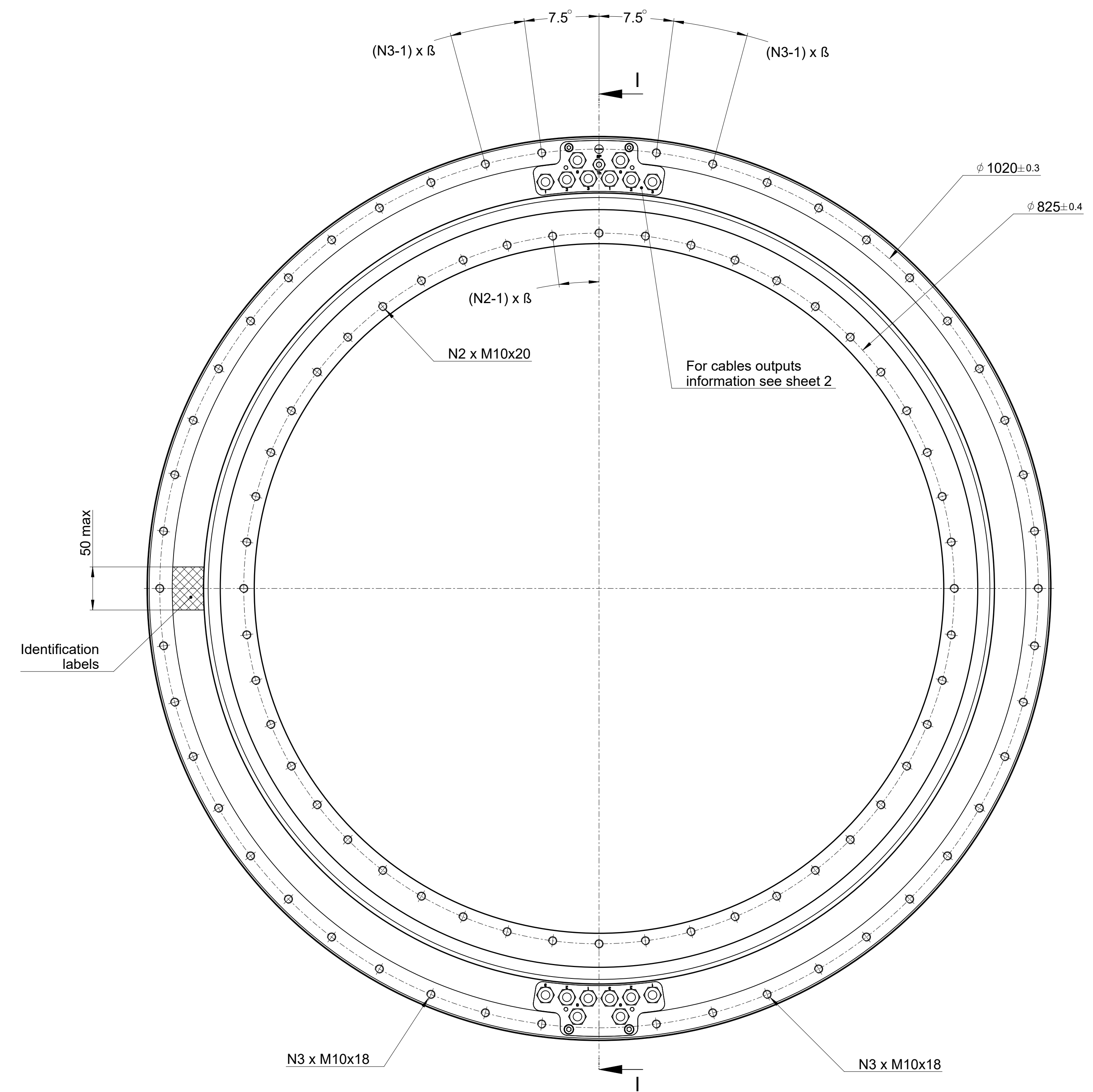
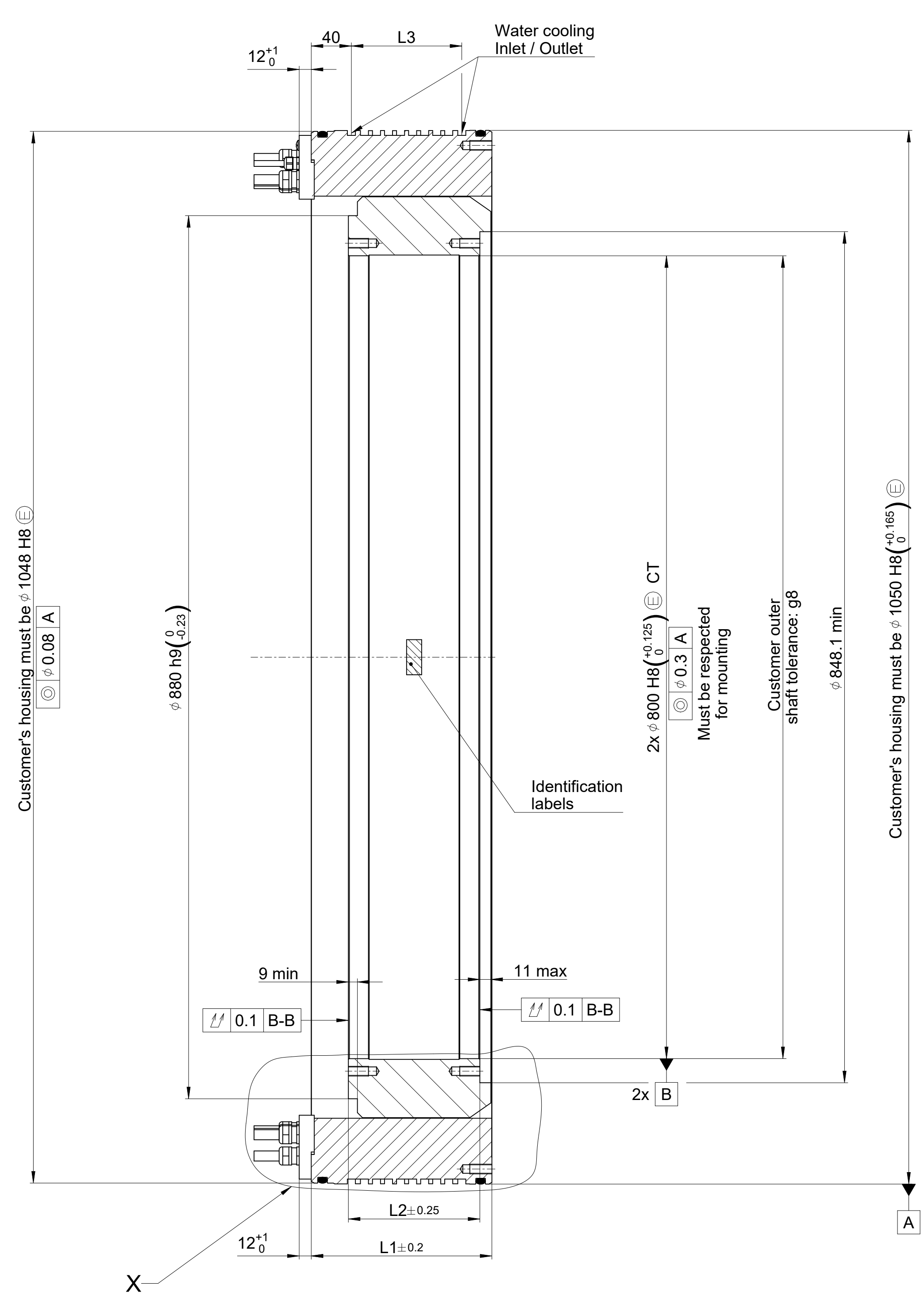
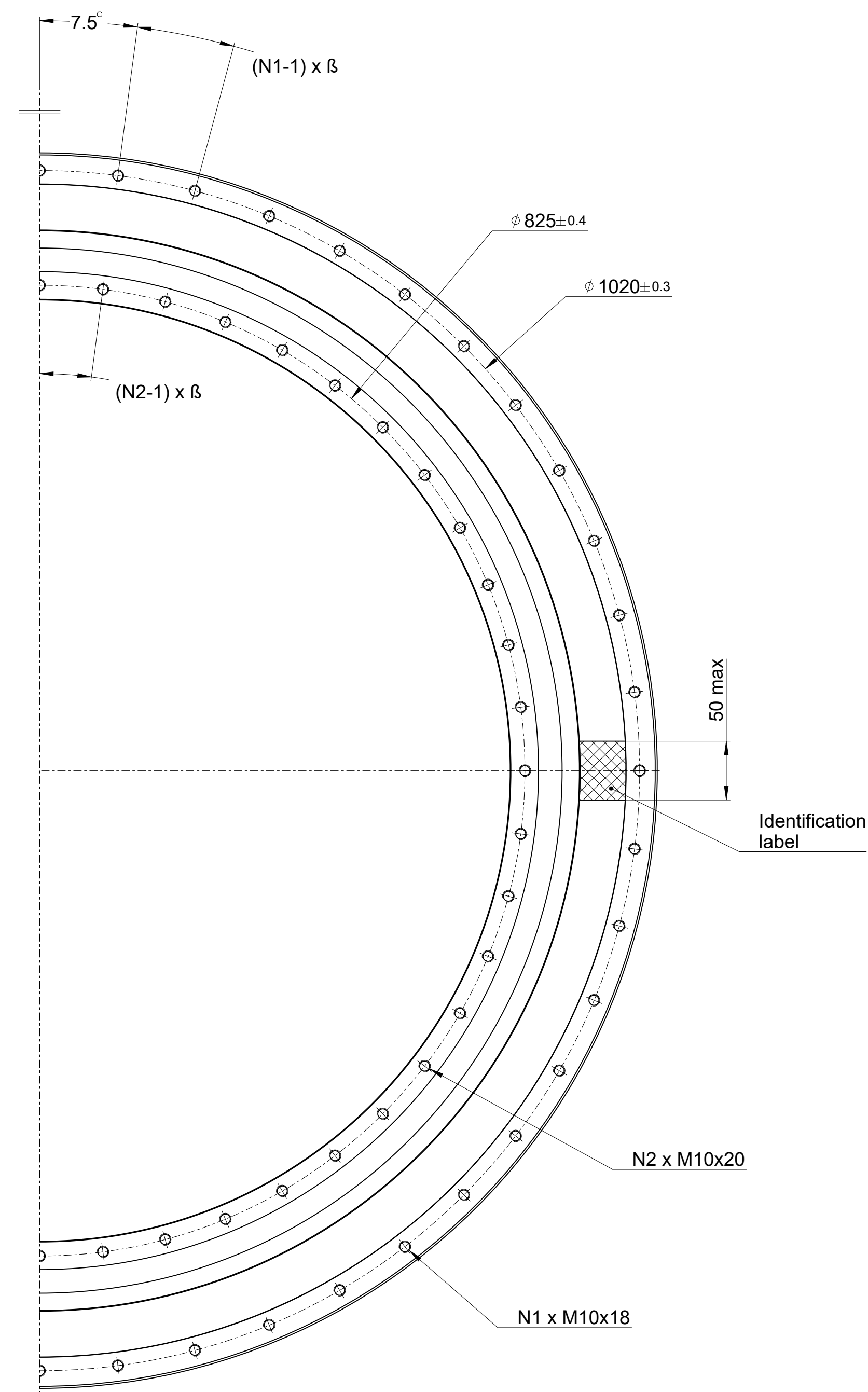
| Characteristics | 1 x 2.5 | 1 x 4 | 1 x 6 | 1 x 10 | 1 x 16 | Sensor cable |
|--------------------------------------|----------------------------------|-------------|----------------------------------|----------------------------------|--|--------------|
| Applicable motors | TMKi0175 TMKi0291 TMKi0360 | TMKi0360 | TMKi0175 TMKi0360 TMKi0530 | TMKi0291 TMKi0530 TMKi0761 | TMKi0360 TMKi0530 TMKi0761 TMKi0991 | All TMKi |
| Minimum bend radius for fixed cable | R = 4 X D | R = 4 X D | R = 4 X D | R = 4 X D | R = 4 X D | R = 6 X D |
| Minimum bend radius for moving cable | R = 7.5 X D | R = 7.5 X D | R = 7.5 X D | R = 7.5 X D | R = 7.5 X D | R = 12 X D |



Sensor cable connection

(*): Red wire (if present) is not connected on the motor side and cutted flush on cable extremity.

| | | | | | | | |
|---|--|--|--|--|--|---|--|
| Text: | | Original drawing Scale: 1:1 Format: A2 | | TMKi sensor config. and cables prop. (interface) | | ID number | |
| RoHS | | 1:1 A2 | | TMKi config. capteur et prop. câbles (interface) | | Change No. C138033-30 Released: 08.01.2024 | |
| Dimensions in mm / Cotes en mm | | Mating Dimensions / Cotes d'encombrement | | Workpiece edges ISO 13715 Arêtes de formes selon ISO 13715 | | Surfaces as per ISO 1302:2002 Etats de surface selon ISO 1302:2002 | |
| -0.1 -0.3 | | +0.3 +0.0 | | General tolerances ISO 2768:1989-mK Tolérances générales ISO 2768:1989-mK | | Tolerances as per ISO 8015 : 2011 Tolérances selon ISO 8015 : 2011 | |
| The reproduction, distribution and utilization of this document as well as the communication of its contents to others without express authorization is prohibited. Offenders will be held liable for the payment of damages. All rights reserved in the event of the grant of a patent, utility model or design. (ISO 16016) | | Surface treatment: Traitement de surface: | | ETEL ETEL S.A. 2112 Môtiers SWITZERLAND | | Version/Revision/Sheet/ Page 1376587-00-B-01 1 of 1 | |
| | | | | Document number | | | |



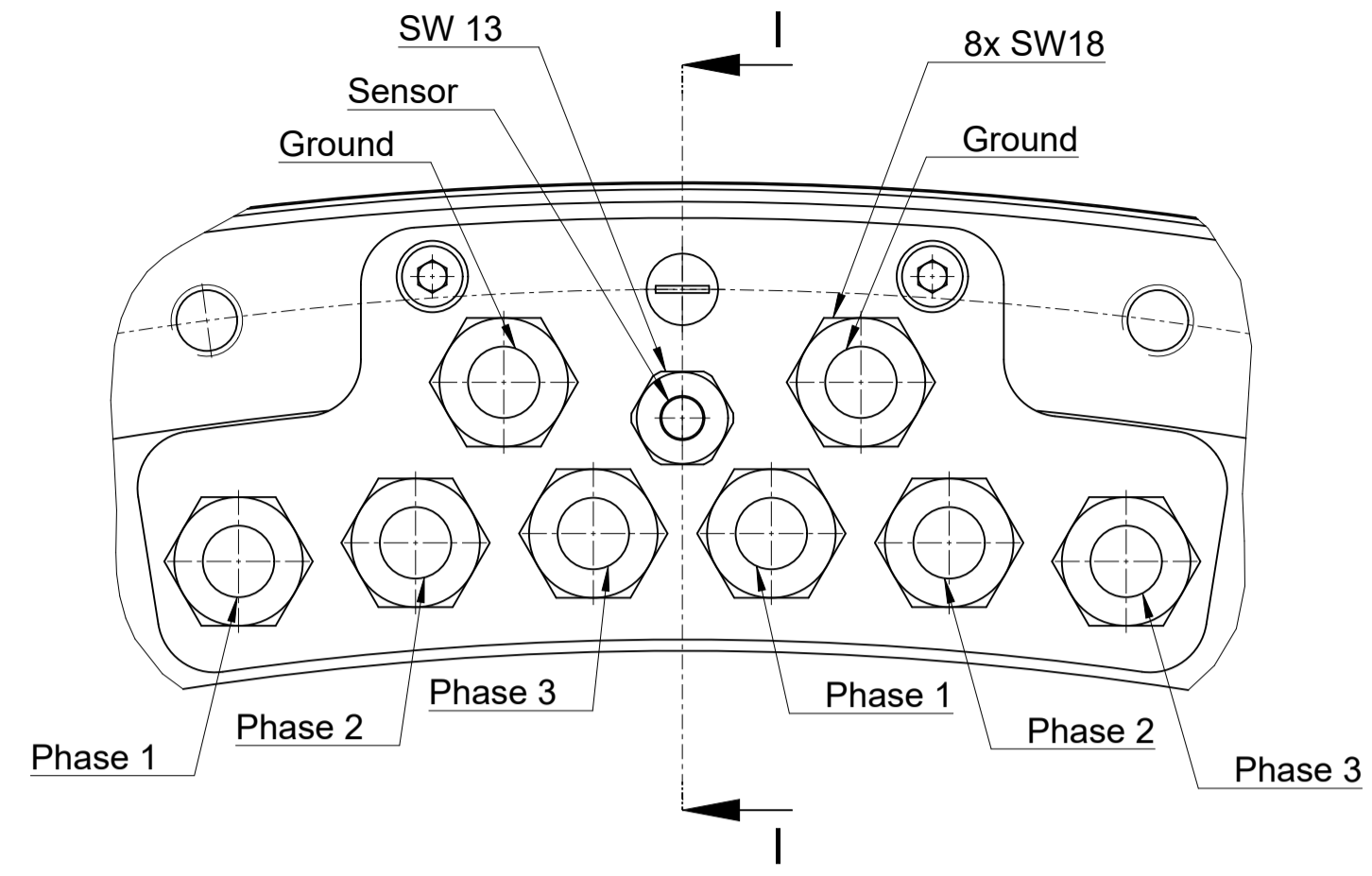
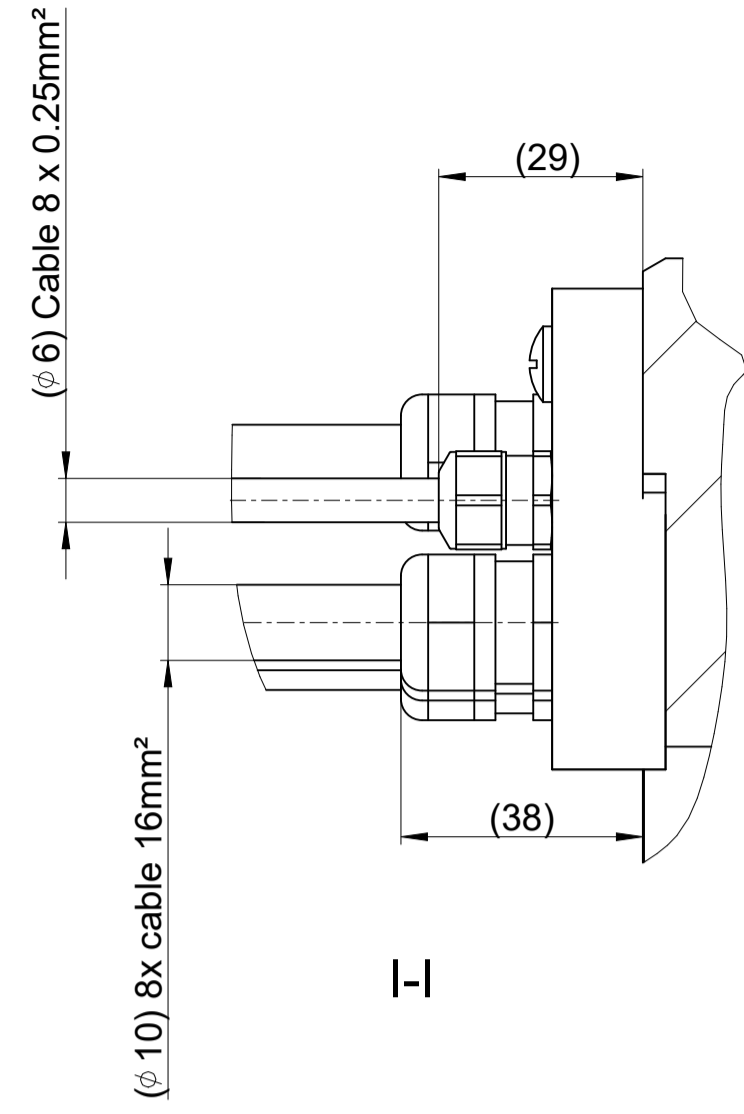
! Use M10 screws with 12.9 quality to assemble rotor and stator

| | | | |
|--------------------|--|--------------------------|---------------------------------|
| Text: | | ID number: | C17160036 |
| Original drawing | | Change No.: | 24.04.2024 |
| Scale: 1:1 Format: | | Released: | |
| Dimensions in mm: | | 3:10 | A0 |
| Designation | | TMKI0991-###-####-O#-AA5 | Tolerances as per ISO 8015:2011 |
| TMKI0991-100 | | 180 | 131 |
| TMKI0991-150 | | 230 | 181 |
| | | 110 | 48 |
| | | 48 | 48 |
| | | 23 | 7.5 |
| | | 48 | 48 |
| | | 23 | 7.5 |
| | | 18 | 19 |

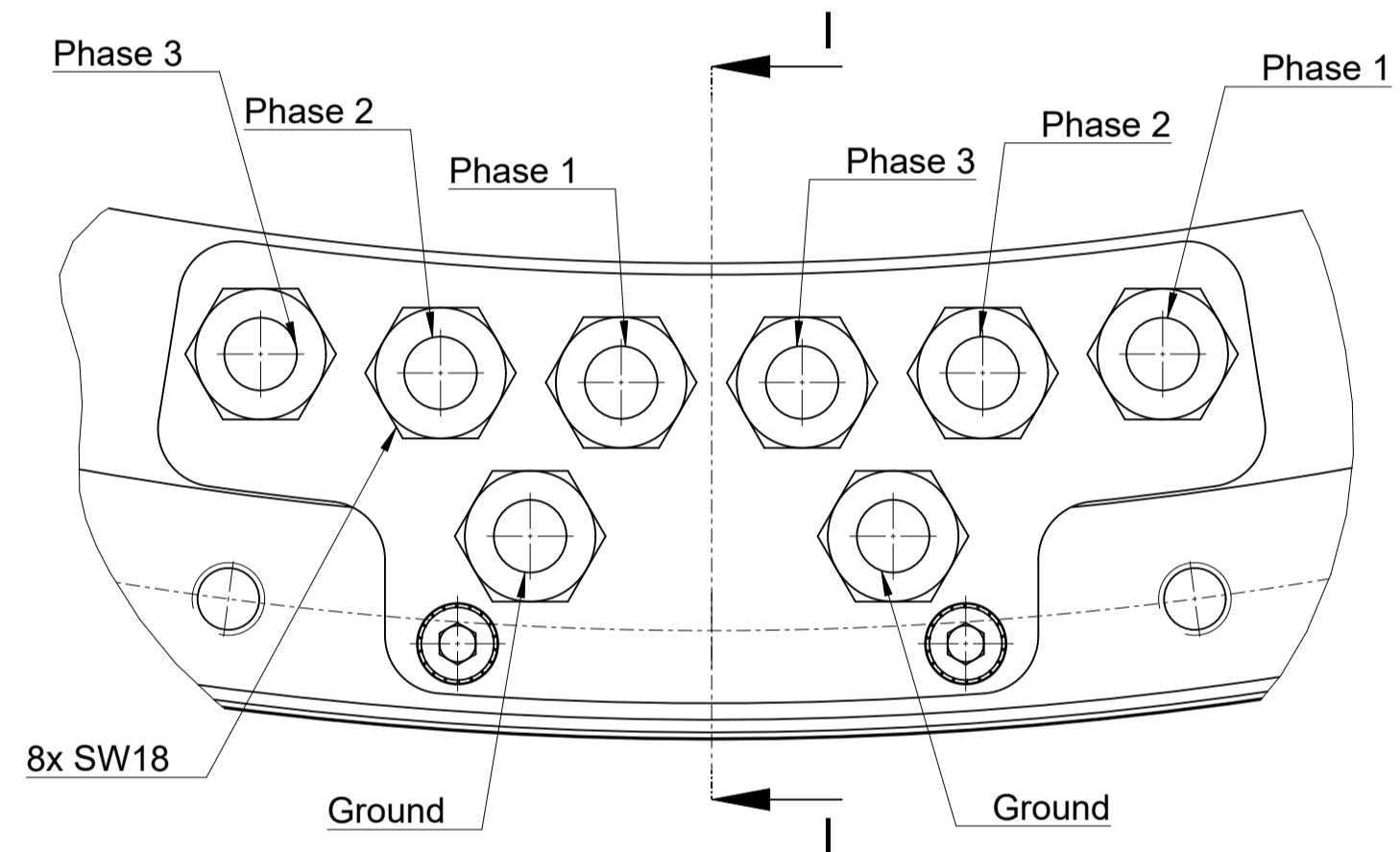
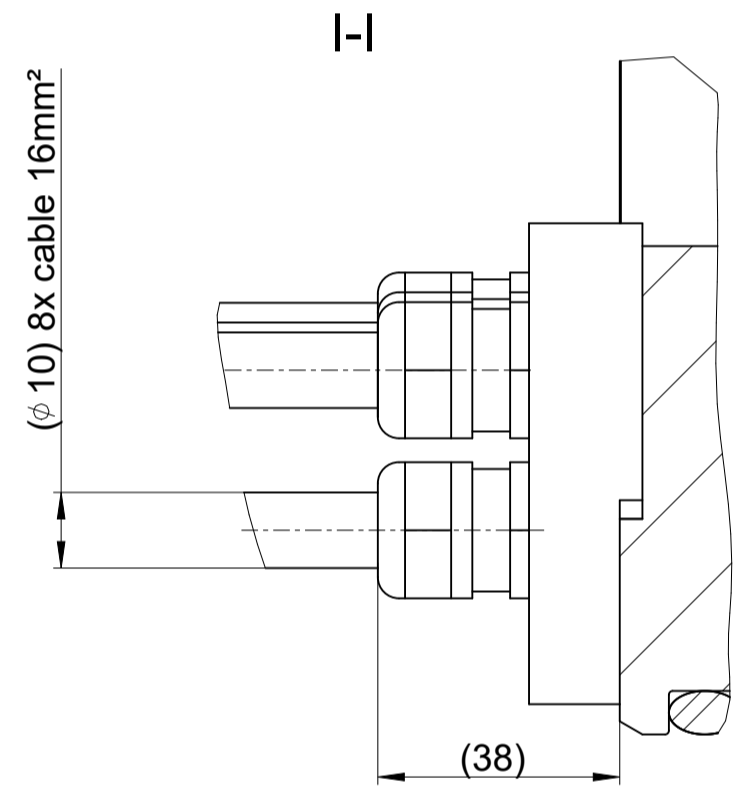
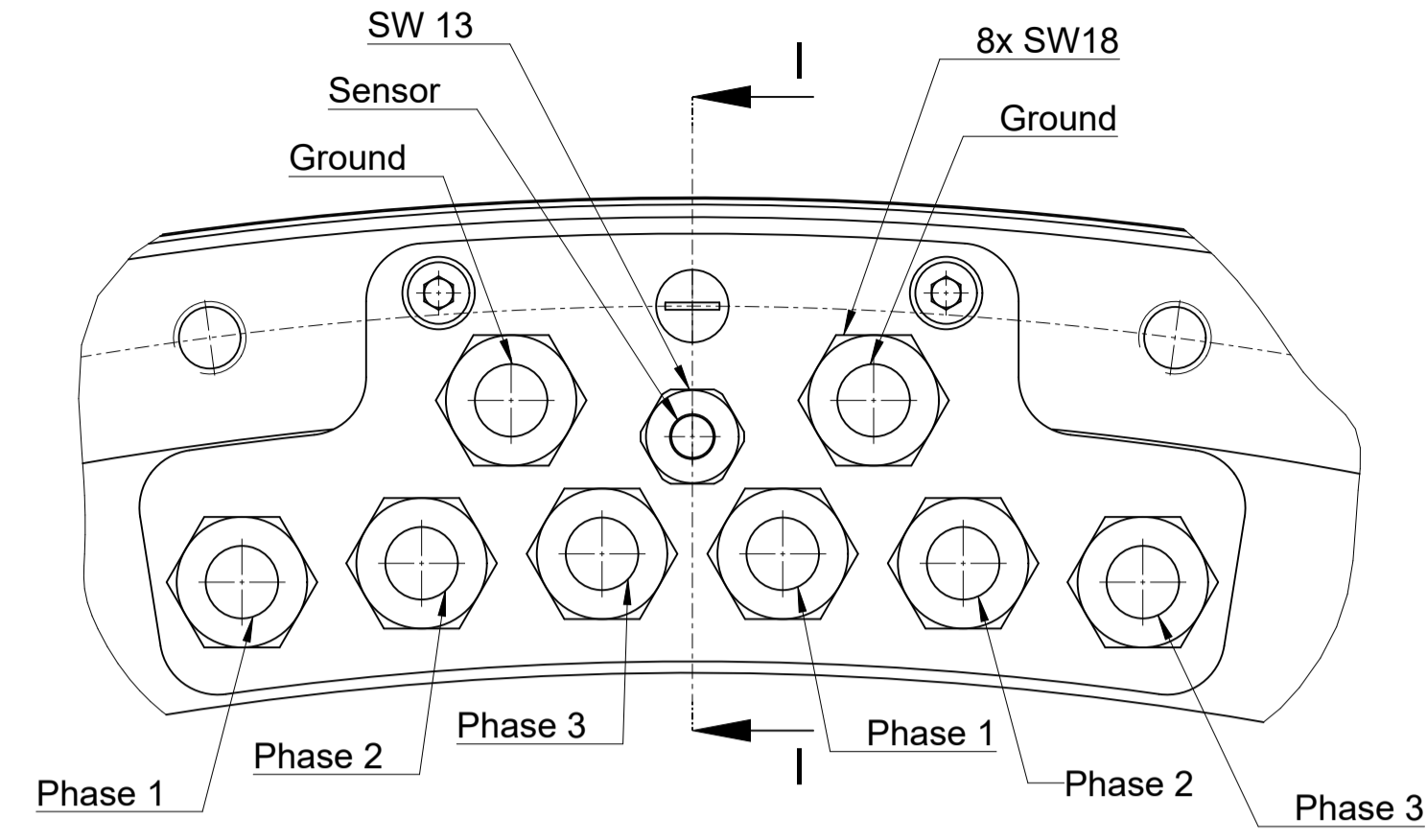
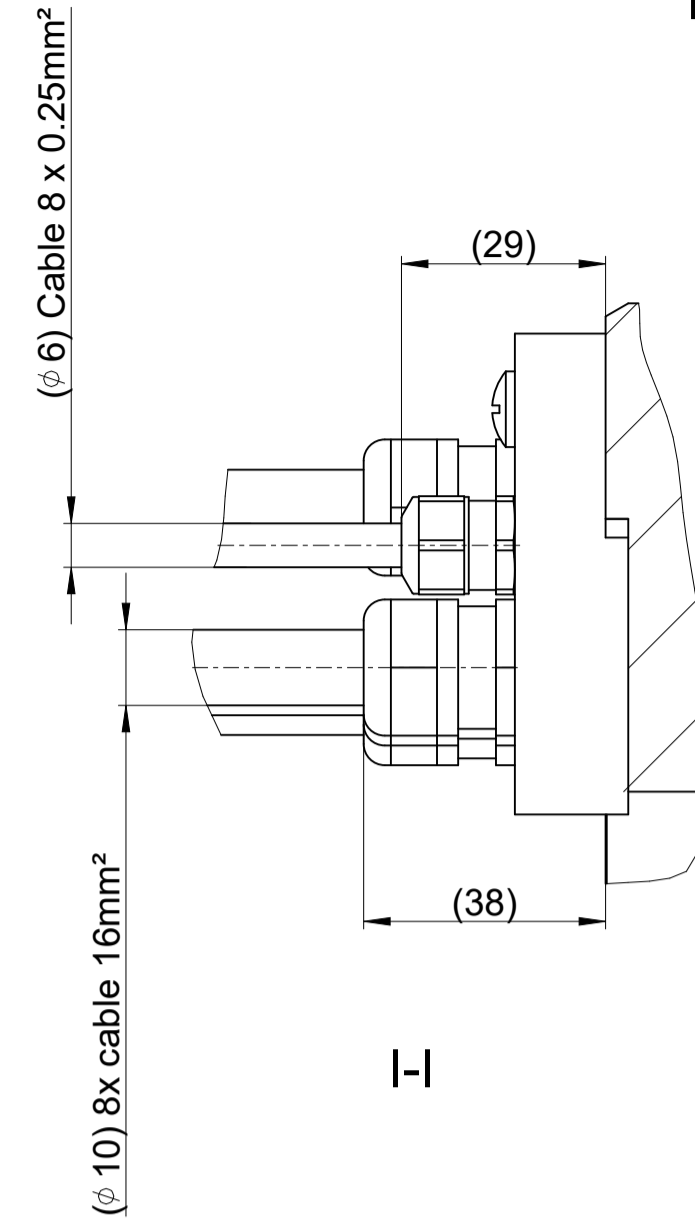
ETEL S.A. 2112 Möhrle SWITZERLAND

1379521-02-B-01

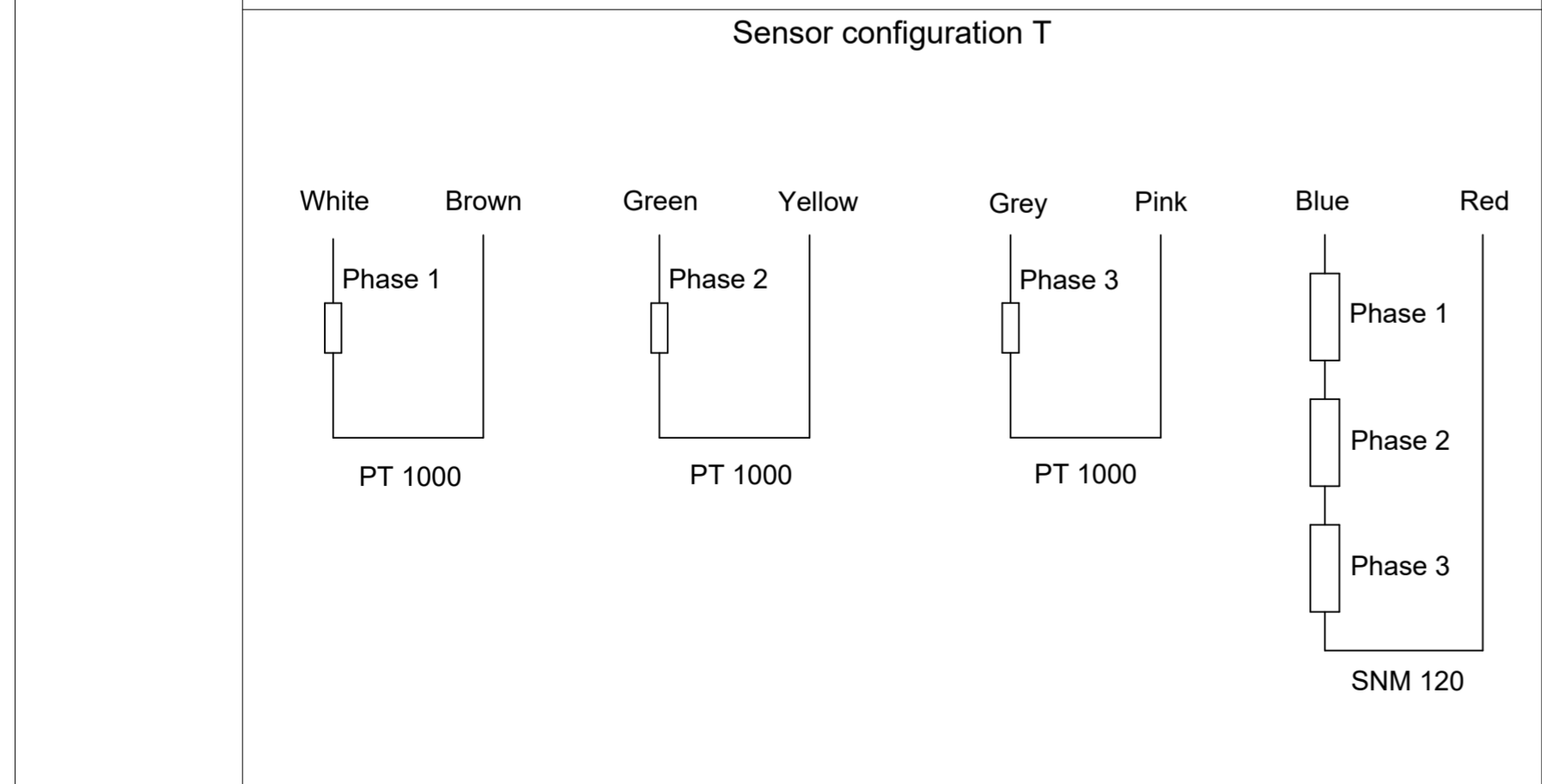
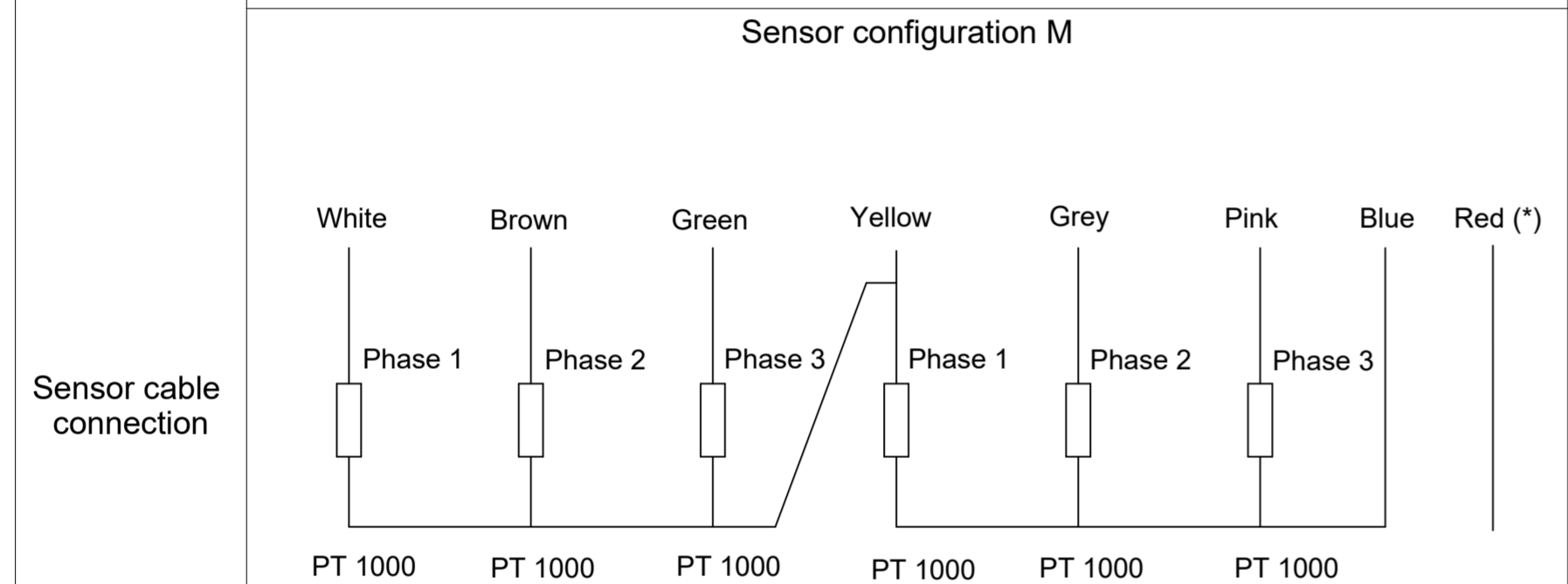
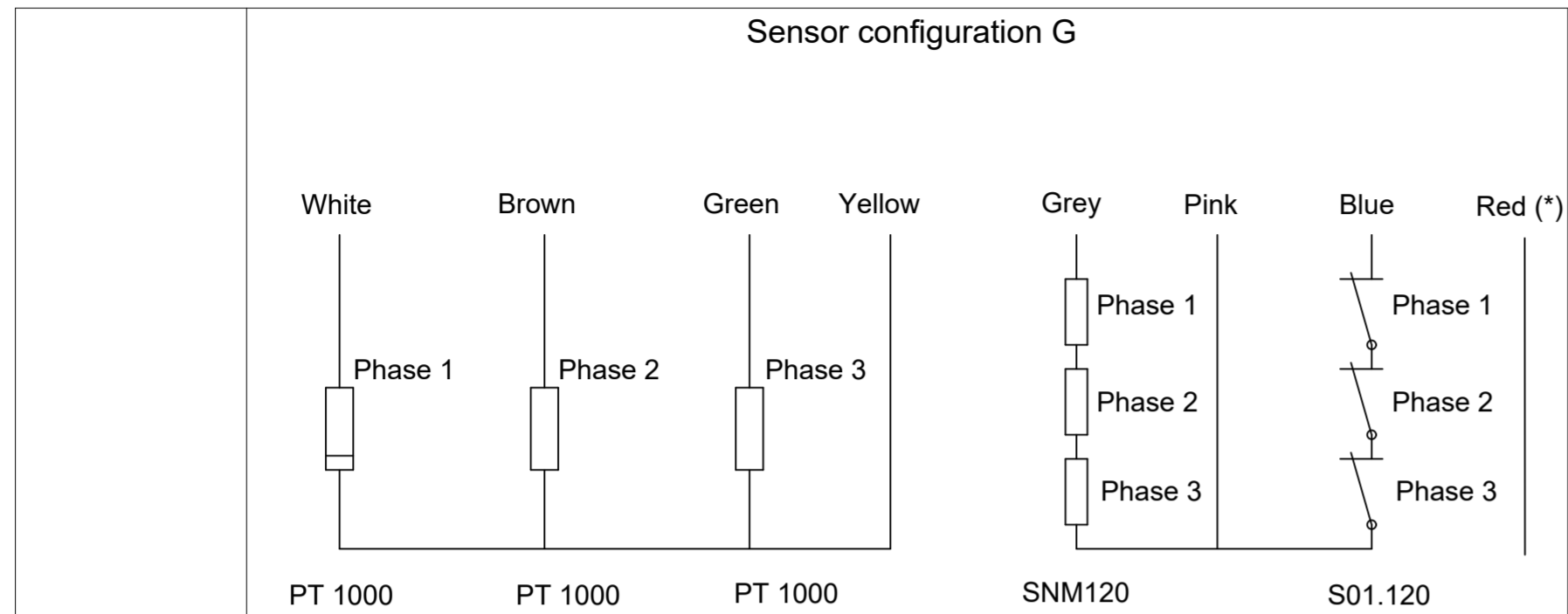
TMKi0991-###-XP#U#



TMKi0991-###-UP#U#



| | | |
|---|--------|---|
| Text: Access changed from All to Standard | | ID number: |
| Change No. C171500-35 | | Released: 24.04.2024 |
| | | TMKi0991-###-####-O#-AA5 TMKi0991-###-####-O#-AA5 Mating Dimensions / Coles d'encastrement |
| Dimensions in mm | 1:1 A1 | Tolerances as per ISO 8015 : 2011 Tolérances selon ISO 8015 : 2011 Dimensions without tolerance ISO Dimensions sans tolérances 2768-mk |
| The reproduction, distribution and utilization of this document as well as the communication of its contents to others without express authorization is prohibited. Offenders will be held liable for the payment of damages. All rights reserved in the event of the grant of a patent, utility model or design. (ISO 15015) | | |
| ETEL S.A. 2112 Möllers SWITZERLAND | | Version Revision Sheet Page 1379521-02-B-01 2 of 2 Document number |

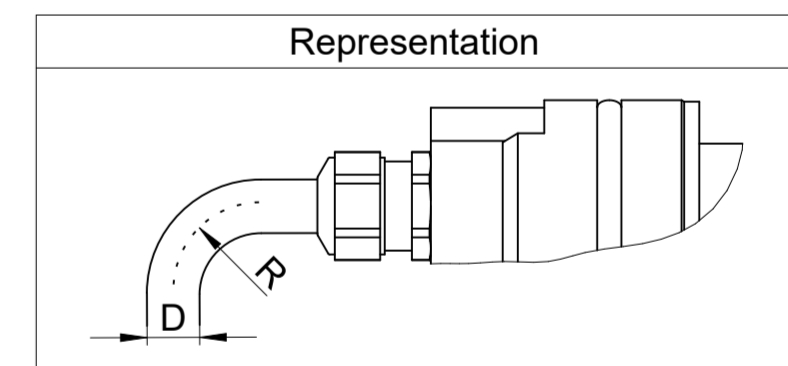


Power cable connection

| Color and wire number | Function | Drawing |
|-------------------------------|---------------|---------|
| Black wire with number 1 or U | Phase 1 (PH1) | |
| Black wire with number 2 or V | Phase 2 (PH2) | |
| Black wire with number 3 or W | Phase 3 (PH3) | |
| Yellow and green wire | Ground (GND) | |

Wire section (mm²)

| Characteristics | 1 x 2.5 | 1 x 4 | 1 x 6 | 1 x 10 | 1 x 16 | Sensor cable |
|--------------------------------------|----------------------------------|-------------|----------------------------------|----------------------------------|--|--------------|
| Applicable motors | TMKi0175 TMKi0291 TMKi0360 | TMKi0360 | TMKi0175 TMKi0360 TMKi0530 | TMKi0291 TMKi0530 TMKi0761 | TMKi0360 TMKi0530 TMKi0761 TMKi0991 | All TMKi |
| Minimum bend radius for fixed cable | R = 4 X D | R = 4 X D | R = 4 X D | R = 4 X D | R = 4 X D | R = 6 X D |
| Minimum bend radius for moving cable | R = 7.5 X D | R = 7.5 X D | R = 7.5 X D | R = 7.5 X D | R = 7.5 X D | R = 12 X D |



(*): Red wire (if present) is not connected on the motor side and cutted flush on cable extremity.

| | | | | | | |
|---|--|--|--|---|--|---|
| Text: | | Original drawing Scale: 1:1 Format: A2 | | TMKi sensor config. and cables prop. (interface) | | ID number |
| RoHS | | 1:1 A2 | | TMKi config. capteur et prop. câbles (interface) | | Change No. C138033-30 Released: 08.01.2024 |
| Workpiece edges ISO 13715 Arêtes de formes selon ISO 13715 | | General tolerances ISO 2768:1989-mK Tolérances générales ISO 2768:1989-mK | | Surfaces as per ISO 1302:2002 Etats de surface selon ISO 1302:2002 | | Material: Matière: |
| Dimensions in mm / Cotes en mm | | Mating Dimensions / Cotes d'encombrement | | Tolerances as per ISO 8015 : 2011 Tolérances selon ISO 8015 : 2011 | | Surface treatment: Traitement de surface: |
| The reproduction, distribution and utilization of this document as well as the communication of its contents to others without express authorization is prohibited. Offenders will be held liable for the payment of damages. All rights reserved in the event of the grant of a patent, utility model or design. (ISO 16016) | | | | | | |
| ETEL | | ETEL S.A. 2112 Môtiers SWITZERLAND | | Version/Revision/Sheet | | Page |
| | | | | 1376587-00-B-01 | | 1 of 1 |
| | | | | Document number | | |