

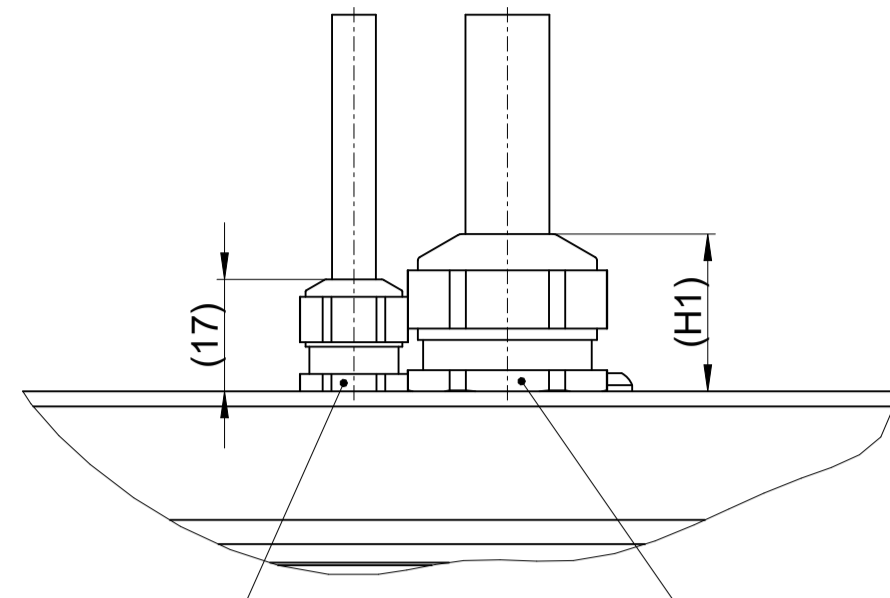
Designation	L1	L2	L3	L4	N1	N2	β
TMC0140-030	70	47	31	10	8	8	45°
TMC0140-050	90	67	51	15	8	8	45°
TMC0140-070	110	87	71	15	8	8	45°
TMC0140-100	140	117	101	15	16	15	22.5°
TMC0140-150	190	167	151	15	16	15	22.5°
TMC0140-200	240	217	202	15	16	15	22.5°

(\* ) Magnet safety clearance  
(\*\*) CE clearance. Rotor shaft must be earthed.

Text:		ID number:	C171406-30
Original drawing		Change No.	30.07.2024
Scale		Released:	
Format		TMC0140-###-####-O#-AA#	
Dimensions in mm		TMC0140-###-####-O#-AA#	
1:1 A1		Mating Dimensions / Coles d'encrochement	
The reproduction, distribution and utilization of this document as well as the communication of its contents to others without express authorization is prohibited. Offenders will be held liable for the payment of damages. All rights reserved in the event of the grant of a patent, utility model or design. (ISO 18015)		Tolerances as per ISO 8015 : 2011 Tolerances selon ISO 8015 : 2011 Dimensions without tolerance ± 0.2 Dimensions sans tolérances ± 0.2	
<b>ETEL</b> ETEL S.A. 2112 Möllers SWITZERLAND		Version   Revision   Sheet   Page	1442908-00 - A-01 Document number 1 of 2

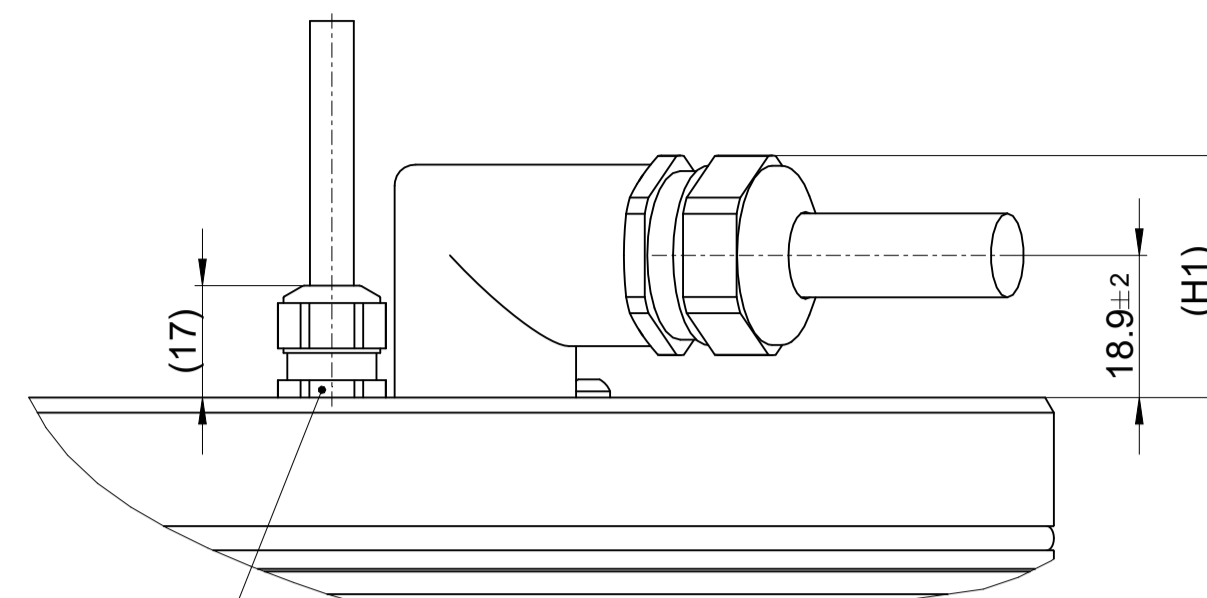
# Type 1

# Type 2

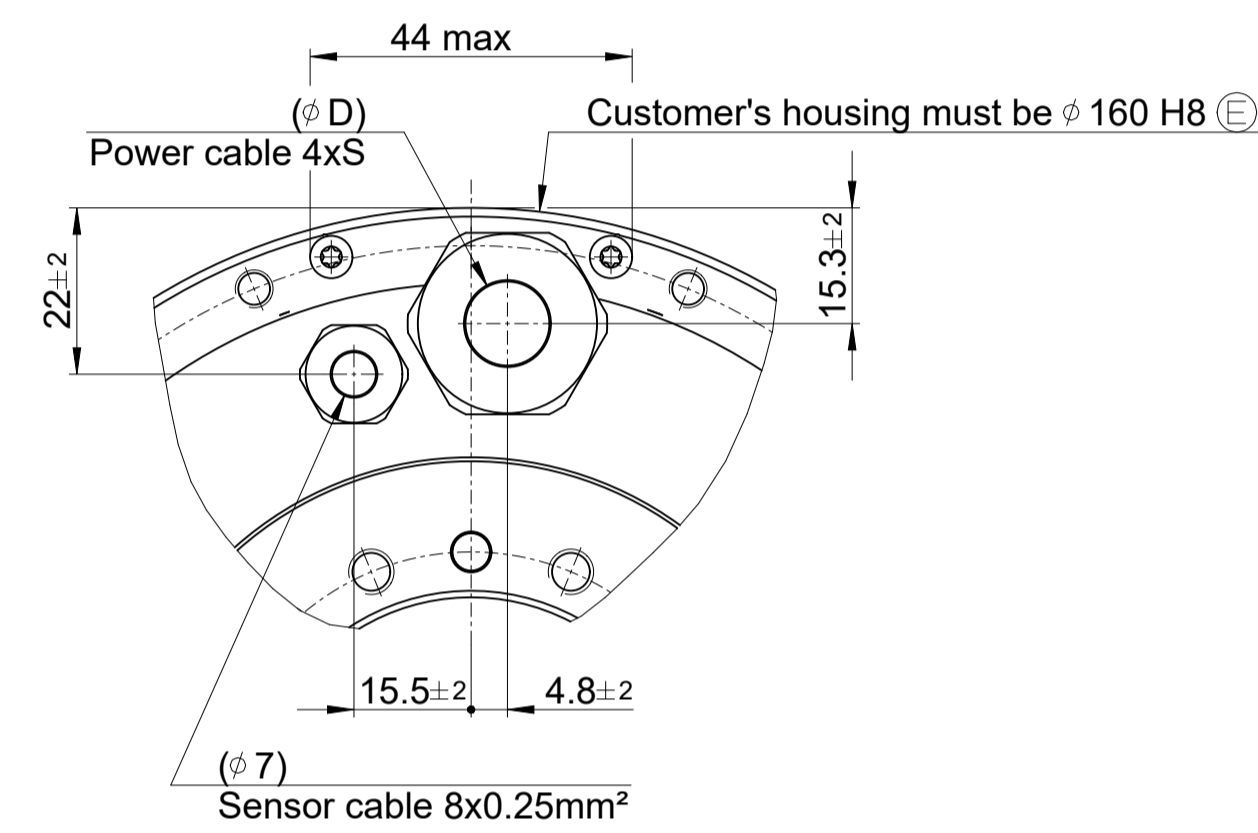


Wrench size: 13mm

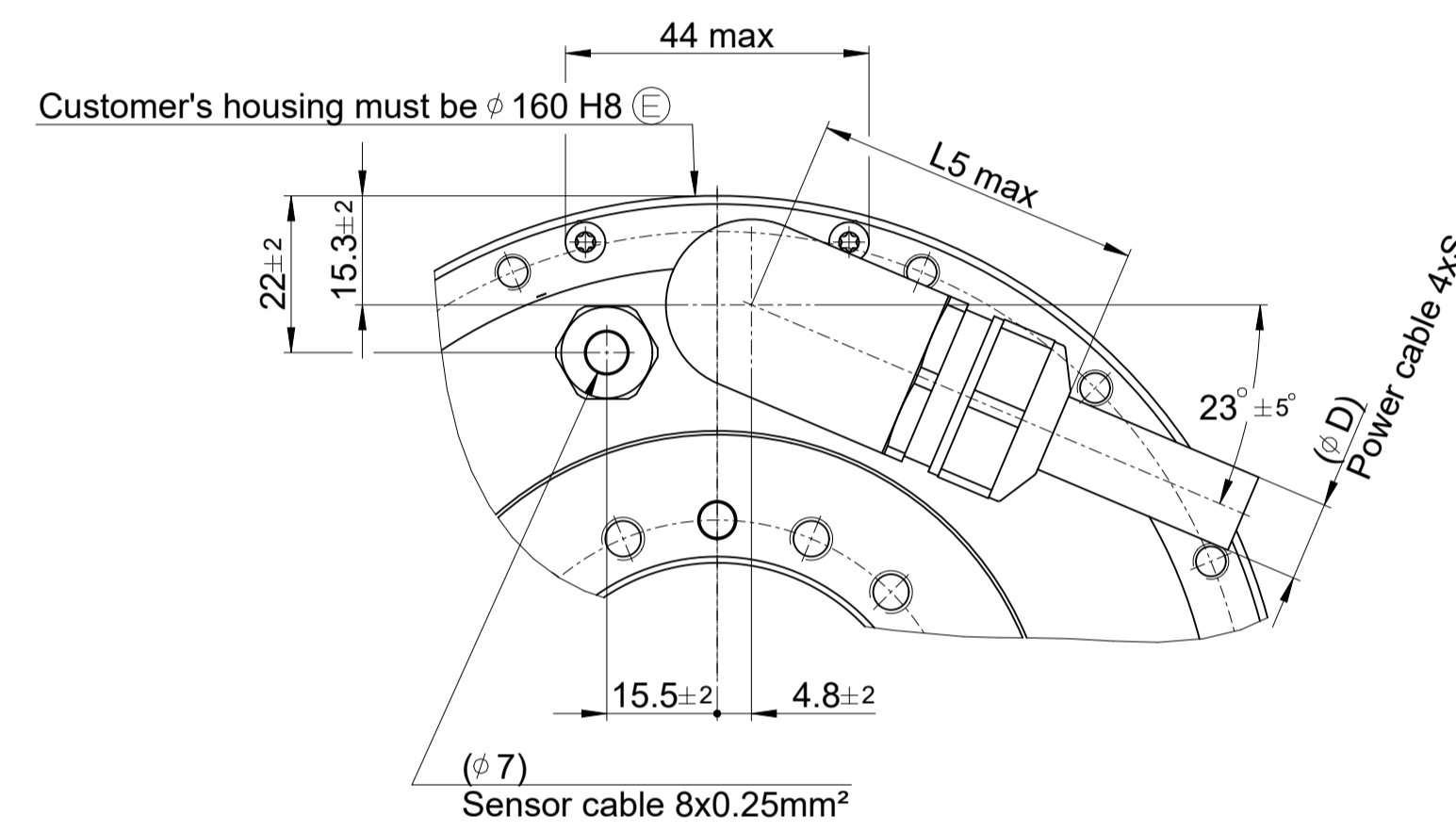
Wrench size: SW mm



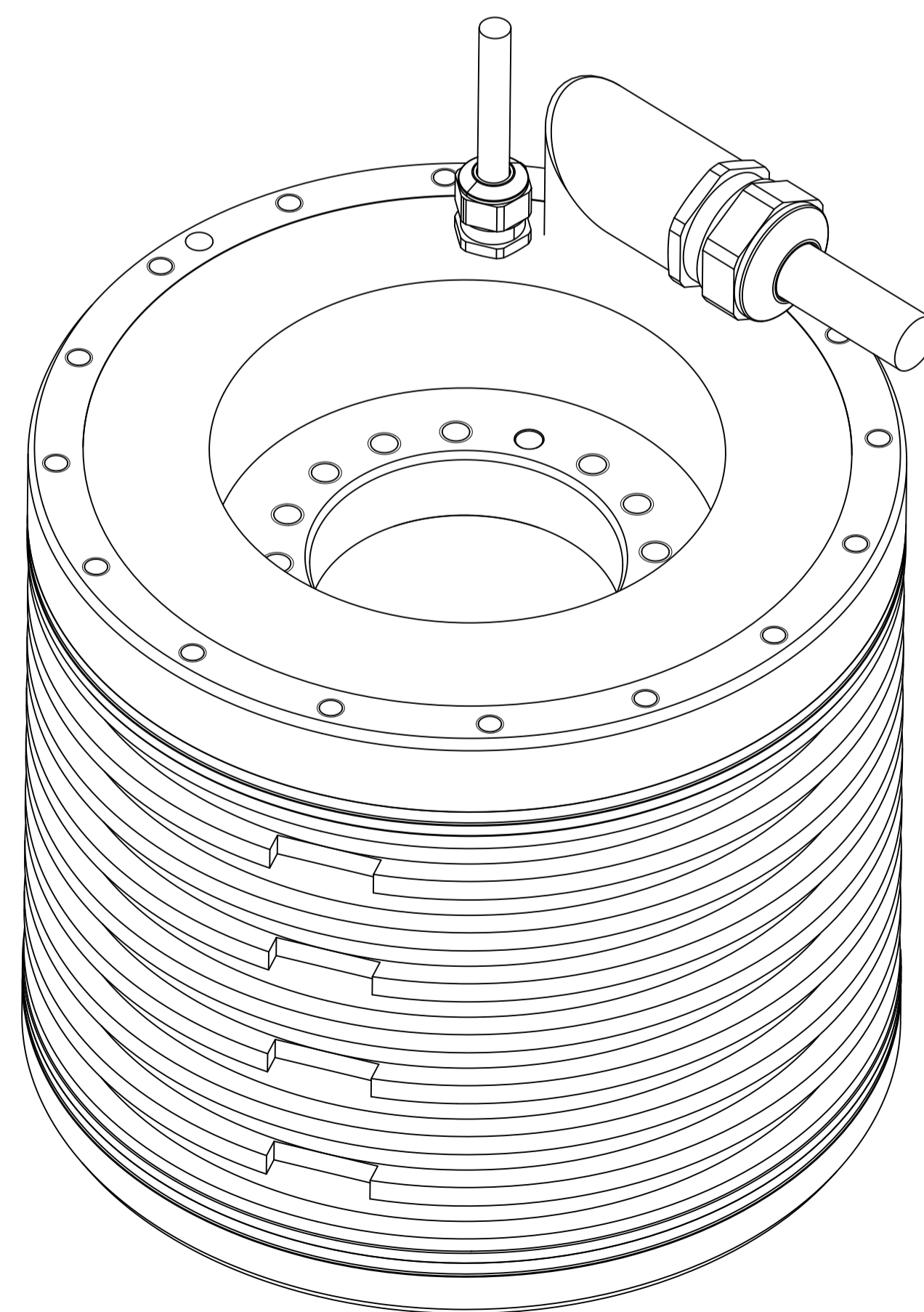
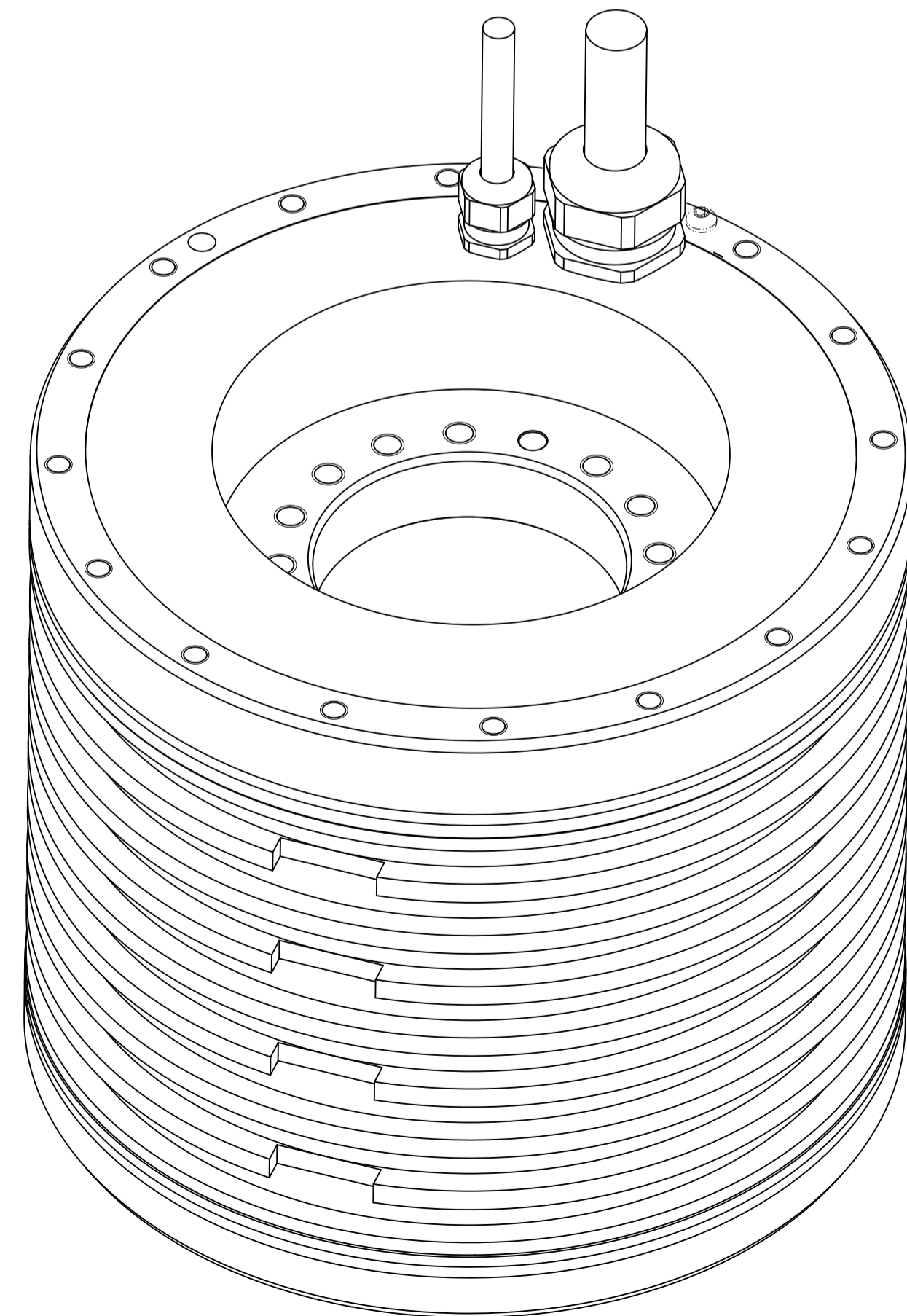
Wrench size: 13mm



Sensor cable 8x0.25mm<sup>2</sup>

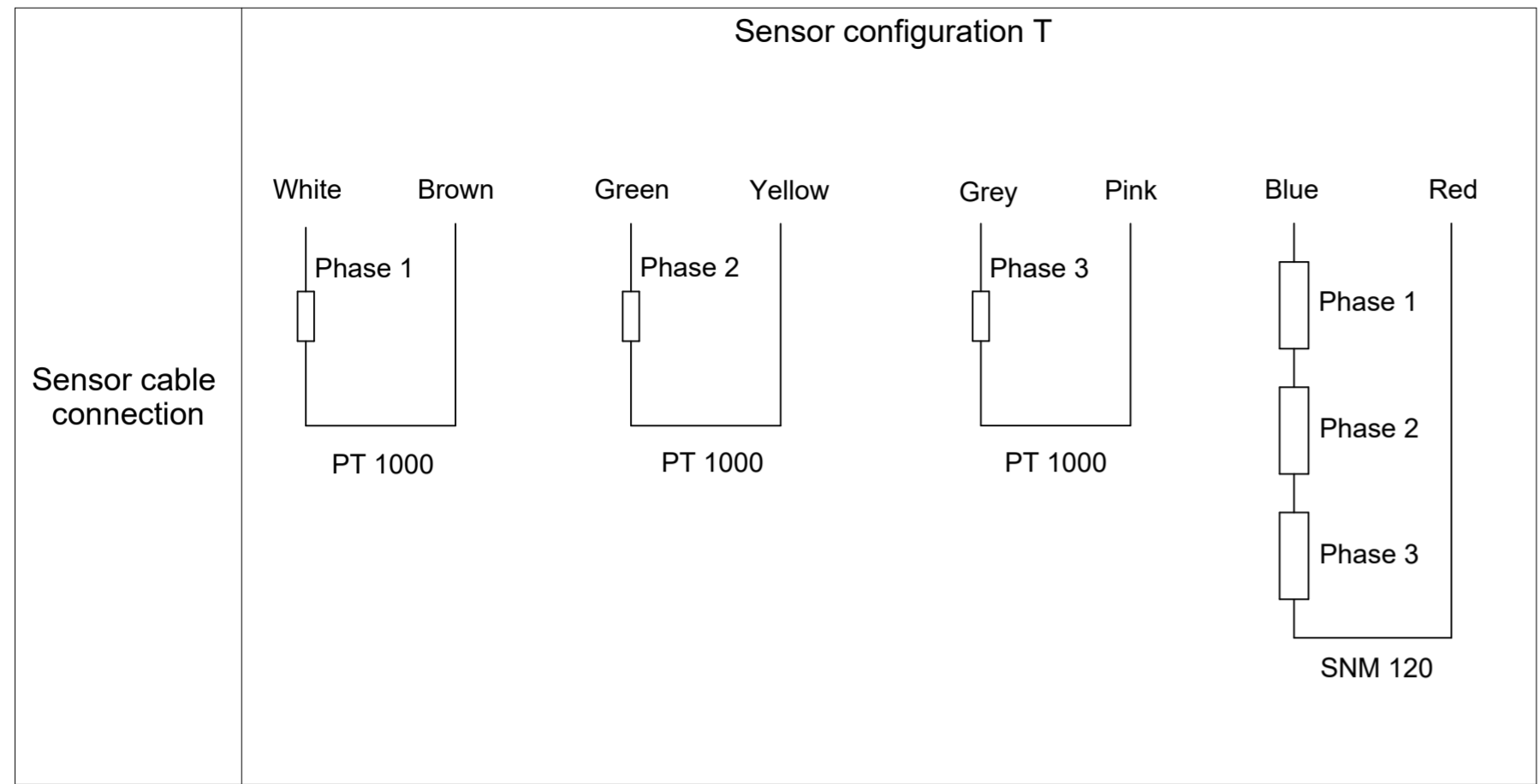


Sensor cable 8x0.25mm<sup>2</sup>



Designation	Output type	S=Wire section	L5	H1	D	SW
[-]	[-]	[mm <sup>2</sup> ]	[mm]	[mm]	[mm]	[mm]
TMC0140-###-TA#S#	Type 1	1.5	-	26	9.6	24
TMC0140-###-TA#E#	Type 2		51	34		
TMC0140-###-WA#S#	Type 1	2.5	-	26	11.1	
TMC0140-###-WA#E#	Type 2		51	34		

Text:		ID number:	C171406-30
Change No.:		Released:	30.07.2024
Tolerances as per ISO 8015 : 2011 Tolerances selon ISO 8015 : 2011		Dimensions without tolerance Dimensions sans tolérances	
± 0.2			
The reproduction, distribution and utilization of this document as well as the communication of its contents to others without express authorization is prohibited. Offenders will be held liable for the payment of damages. All rights reserved in the event of the grant of a patent, utility model or design. ( ISO 18015 )			
ETEL S.A. 2112 Möllers SWITZERLAND		Version   Revision   Sheet   Page 1442908-00 - A-01 2 of 2	

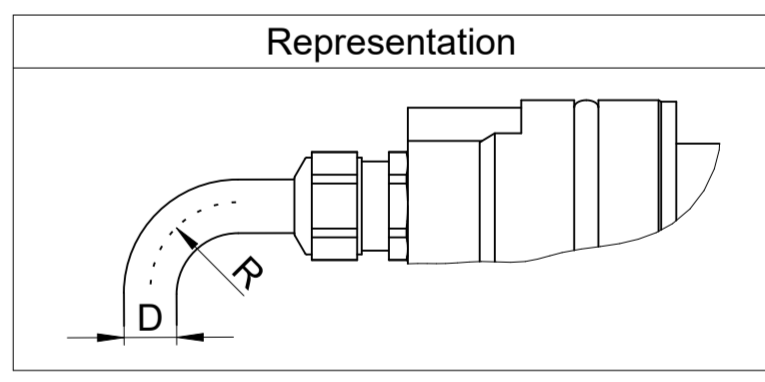


**Power cable connection**

Color and cable number	Function	Drawing
Black cable with number 1 or U / Wire 1	Phase 1 (PH1)	
Black cable with number 2 or V / Wire 2	Phase 2 (PH2)	
Black cable with number 3 or W / Wire 3	Phase 3 (PH3)	
Black cable with yellow and green sleeve / Yellow and green wire	Ground (GND)	

**Cable cross-section (mm<sup>2</sup>)**

Characteristics	4 x 1.5	4 x 2.5	4 x 4	1 x 2.5	1 x 4	1 x 6	1 x 10	Sensor cable
Applicable motors	TMC0140 TMC0290	TMC0140 TMC0290	TMC0290	TMC0360 TMC0450	TMC0530	TMC0360	TMC0450 TMC0530	All TMC
Minimum bending radius for fixed cable	R = 4 x D	R = 4 x D	R = 4 x D	R = 4 x D	R = 4 x D	R = 4 x D	R = 4 X D	R = 6 X D
Minimum bending radius for moving cable	R = 7.5 x D	R = 7.5 x D	R = 7.5 x D	R = 7.5 x D	R = 7.5 x D	R = 7.5 x D	R = 7.5 X D	R = 12 X D



Text:		ID number:	
		Change No. C171406-35	
		Released: 30.07.2024	
	Original drawing	<b>TMC sensor config. and cables prop. (interface)</b> <b>TMC config. capteur et prop. câbles (interface)</b>	
Scale	Format		
Dimensions in mm	1:1	A2	Tolerances as per ISO 8015 : 2011 Tolérances selon ISO 8015 : 2011
Mating Dimensions / Cotes d'encombrement			Dimensions without tolerance Dimensions sans tolérances ± 0,2
The reproduction, distribution and utilization of this document as well as the communication of its contents to others without express authorization is prohibited. Offenders will be held liable for the payment of damages. All rights reserved in the event of the grant of a patent, utility model or design. (ISO 16016)			
<b>ETEL</b> ETEL S.A. 2112 Môtiers SWITZERLAND		Version	Revision
		Sheet	Page
		1395916-02 - A-01	
		Document number	
		1 of 1	